

# COASTAL STREAMING PACKAGE



DESIGN • BUILD • INSTALL • STREAM

ANY SCREEN. ANY DEVICE.  
STREAMING SERVICES REDEFINED.



## SEAMLESS INTEGRATION - STREAM TO ANY DEVICE

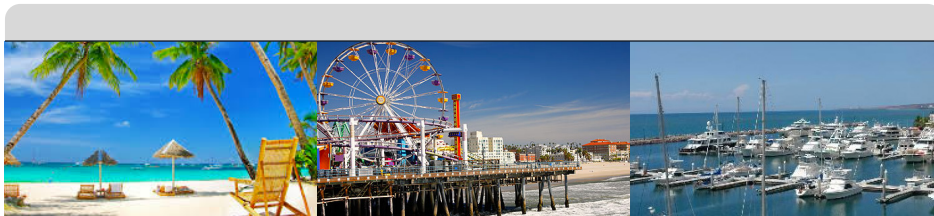
Adding a live stream to your website is **easy & secure!** Simply add the single line of HTML code that we provide to your website and the rest is handled by our network. Stream to unlimited concurrent viewers while only impacting your network with one stream uploaded to our network. **Any screen, any device, any number of viewers.**

## CUSTOMIZED AND SECURED TO PROTECT YOUR BRAND

Brand your live stream by placing your company logo on the video feed as a **watermark** overlay. **Anti-stream Hijacking** ensures that your live stream can only be displayed on the websites that you specify and redirects users to the URL of **your choice** if someone does attempt to steal your stream.

## MARKETING TOOLS THAT INCREASE YOUR VISIBILITY

Our automated **Time-Lapse Service** generates time-lapse movies for you to embed on your website or upload to social media (YouTube, Facebook, Google+, etc.). Use **Video Ad Inserts** to display short promo clips about your services before or during your live stream. Our **Snapshot Proxy** tool creates real-time images of your live stream with overlay watermarks to use them on your website or social media.



## ENGAGE YOUR AUDIENCE WITH CRYSTAL-CLEAR HD LIVE STREAMS

The Coastal Streaming Package is the perfect solution for seaside hotels, marinas, beaches... anywhere with damp or salty air. Combat grime and salt build-up with our patented self-cleaning camera enclosure while you focus on the most compelling angle for your viewers.

Get started today by calling (858) 481-4096 or visiting [hdontap.com](http://hdontap.com)

## PACKAGE INCLUDES:

### HIGH DEFINITION PTZ CAMERA

- Axis Q6075 1080p HD PTZ Camera
- 40x Optical Zoom
- Axis Superior IP Camera Technology
- Day/Night Mode - Manual or Auto

### XCLEAR ENCLOSURE

- Patented Self-Cleaning Housing
- Polycarbonate Construction - No Rust or Corrosion
- 40x Plus Optically Pure Dome Lens
- Easy Mounting System w/ Precision Leveling and Adjustment

### 1 YEAR LITE STREAMING PLAN

- 4,000 Viewer Hours
- Up to 2 Webcams
- Desktop & Mobile Streaming
- Anti-Stream Hijacking Security
- Logo Overlay & Social Sharing Player

HARDWARE:	\$6,113 MSRP
STREAMING:	\$3,348 MSRP
<b>PACKAGE PRICE:</b>	<b>\$6,795</b>
SAVINGS:	\$2,666

Monthly payment option w/ approved credit

# AXIS Q6075 PTZ Network Camera

Indoor PTZ with HDTV 1080p and 40x optical zoom

AXIS Q6075 PTZ Network Camera offers HDTV 1080p and 40x optical zoom for great overviews and excellent details. This high-performance indoor PTZ camera comes with autotracking 2 with click and track functionality, as well as an orientation aid for active object tracking and quick orientation. With Axis Lightfinder 2.0 the camera delivers low-light images with more saturated colors and sharper images of moving objects. Plus, enhanced security features such as signed firmware and secure boot ensures the integrity and authenticity of the firmware. Furthermore, Axis Zipstream with H.264/ H.265 significantly lowers bandwidth and storage requirements.

- > [HDTV 1080p with 40x optical zoom](#)
- > [Axis Lightfinder 2.0](#)
- > [Autotracking 2 and orientation aid](#)
- > [Built-in analytics](#)
- > [TPM, FIPS 140-2 level 2 certified](#)



# AXIS Q6075 PTZ Network Camera

<b>Models</b>	AXIS Q6075 50 Hz AXIS Q6075 60 Hz	IP address removed, network lost, new IP address, shock detected, storage failure, system ready, within operating temperature Edge storage: recording ongoing, storage disruption I/O: digital input, manual trigger, virtual input MQTT subscribe PTZ: PTZ malfunctioning, PTZ movement, PTZ preset position reached, PTZ ready Scheduled and recurring: scheduled event Video: live stream open
<b>Camera</b>		
<b>Image sensor</b>	1/2.8" progressive scan CMOS	
<b>Lens</b>	4.25–170 mm, F1.6–4.95 Horizontal field of view: 65.1°–2.00° (1080p) Vertical field of view: 39.1°–1.18° (1080p) Autofocus, auto-iris	
<b>Day and night</b>	Automatically removable infrared-cut filter	
<b>Minimum illumination</b>	Color: 0.1 lux at 30 IRE, F1.6 B/W: 0.002 lux at 30 IRE, F1.6 Color: 0.15 lux at 50 IRE, F1.6 B/W: 0.003 lux at 50 IRE, F1.6	
<b>Shutter speed</b>	1/11000 s to 1/3 s with 50 Hz 1/11000 s to 1/3 s with 60 Hz	
<b>Pan/Tilt/Zoom</b>	Pan: 360° endless, 0.05°–450°/s Tilt: 180°, 0.05°–450°/s Zoom: 40x optical, 12x digital, total 480x zoom E-flip, 256 preset positions, tour recording (max 10, max duration 16 minutes each), guard tour (max 100), control queue, on-screen directional indicator, orientation aid PTZ, set new pan 0°, adjustable zoom speed, focus recall	
<b>System on chip (SoC)</b>		
<b>Model</b>	ARTPEC-7	
<b>Memory</b>	1024 MB RAM, 512 MB Flash	
<b>Compute capabilities</b>	Machine learning processing unit (MLPU)	
<b>Video</b>		
<b>Video compression</b>	H.264 (MPEG-4 Part 10/AVC) Baseline, Main and High Profiles H.265 (MPEG-H Part 2/HEVC) Main Profile Motion JPEG	
<b>Resolution</b>	HDTV 1080p 1920x1080 to 320x180	
<b>Frame rate</b>	Up to 50/60 fps (50/60 Hz) in HDTV 1080p	
<b>Video streaming</b>	Multiple, individually configurable streams in H.264, H.265 and Motion JPEG Axis Zipstream technology in H.264 and H.265 Controllable frame rate and bandwidth VBR/ABR/MBR H.264/H.265	
<b>Image settings</b>	Manual shutter time, compression, color, brightness, sharpness, white balance, exposure control, exposure zones, fine tuning of behavior at low light, rotation: 0°, 180°, text and image overlay, polygon privacy masks, electronic image stabilization (EIS), freeze on PTZ, automatic defog, backlight compensation, scene profiles Wide Dynamic Range (WDR): Up to 120 dB depending on scene, highlight compensation	
<b>Audio</b>		
<b>Audio streaming</b>	Two-way, full duplex, half-duplex, simplex	
<b>Audio encoding</b>	24bit LPCM, AAC-LC 8/16/32/48 kHz, G.711 PCM 8 kHz, G.726 ADPCM 8 kHz, Opus 8/16/48 kHz Configurable bit rate	
<b>Audio input/output</b>	Requires multicable (sold separately) for external microphone or line input, and line output, automatic gain control	
<b>Network</b>		
<b>Network protocols</b>	IPv4, IPv6 USGv6, ICMPv4/ICMPv6, HTTP, HTTP/2, HTTPS, TLS, QoS Layer 3 DiffServ, FTP, SFTP, CIFS/SMB, SMTP, mDNS (Bonjour), UPnP®, SNMP v1/v2c/v3 (MIB-II), DNS/DNSv6, DDNS, NTP, NTS, RTSP, RTP, SRTP/RTSPS, TCP, UDP, IGMPv1/v2/v3, RTCP, ICMP, DHCPv4/v6, ARP, SSH, NTCIP, LLDP, CDP, MQTT, Secure syslog (RFC 3164/5424, UDP/TCP/TLS), Link-Local address (ZeroConf)	
<b>System integration</b>		
<b>Application Programming Interface</b>	Open API for software integration, including VAPIX® and AXIS Camera Application Platform; specifications at <a href="http://axis.com">axis.com</a> One-Click Cloud Connection ONVIF® Profile G, ONVIF® Profile S and ONVIF® Profile T, specification at <a href="http://onvif.org">onvif.org</a>	
<b>Event conditions</b>	Audio: audio detection Device status: above operating temperature, above or below operating temperature, below operating temperature, fan failure,	
<b>Event actions</b>	Day/night mode, overlay text, video recording to edge storage, pre- and post-alarm video buffering, send SNMP trap PTZ: PTZ preset, start/stop guard tour File upload via FTP, SFTP, HTTP, HTTPS network share and email Notification via email, HTTP, HTTPS and TCP External output activation, audio recording to edge storage, play audio clip MQTT publish	
<b>Built-in installation aids</b>	Pixel counter, leveling guide	
<b>Analytics</b>		
<b>AXIS Object Analytics</b>	Object classes: humans, vehicles Scenarios: line crossing, object in area, crossline counting, time in area Up to 10 scenarios Metadata visualized with trajectories, color-coded bounding boxes and tables Polygon include/exclude areas Perspective configuration ONVIF Motion Alarm event	
<b>Metadata</b>	Object data: Classes: humans, faces, vehicles (types: cars, buses, trucks, bikes), license plates Confidence, position Event data: Producer reference, scenarios, trigger conditions	
<b>Applications</b>	Included AXIS Object Analytics, AXIS Video Motion Detection, AXIS Motion Guard, AXIS Fence Guard, AXIS Loitering Guard, autotracking 2, active gatekeeper, audio detection Basic analytics (not to be compared with third-party analytics): object removed, enter/exit detector, object counter Supported Support for AXIS Camera Application Platform enabling installation of third-party applications, see <a href="http://axis.com/acap">axis.com/acap</a>	
<b>Approvals</b>		
<b>EMC</b>	CISPR 32 Class A, EN 55035, EN 55032 Class A, EN 61000-3-2, EN 61000-3-3, EN 61000-6-1, EN 61000-6-2 Australia/New Zealand: RCM AS/NZS CISPR 32 Class A Canada: ICES-3(A)/NMB-3(A) Japan: VCCI Class A Korea: KCC KN32 Class A, KN35 USA: FCC Part 15 Subpart B Class A	
<b>Safety</b>	IEC/EN/UL 60950-1, IS 13252 IEC/EN 62368-1	
<b>Environment</b>	IEC/EN 60529 IP52, IEC 60068-2-1, IEC 60068-2-2, IEC 60068-2-6, IEC 60068-2-14, IEC 60068-2-27, IEC 60068-2-78	
<b>Network</b>	NIST SP500-267	
<b>Cybersecurity</b>	ETSI EN 303 645  Midspan: EN 60950-1, GS, UL, cUL, CE, FCC, VCCI, CB, KCC, UL-AR	
<b>Cybersecurity</b>		
<b>Edge security</b>	Software: Signed firmware, brute force delay protection, digest authentication and OAuth 2.0 RFC6749 OpenID Authorization Code Flow for centralized ADFS account management, password protection, AES-XTS-Plain64 256bit SD card encryption Hardware: Axis Edge Vault cybersecurity platform TPM 2.0 (CC EAL4+, FIPS 140-2 Level 2), secure keystore, secure boot	
<b>Network security</b>	IEEE 802.1X (EAP-TLS, PEAP-MSCHAPv2), IEEE 802.1AE (MACsec PSK/EAP-TLS), HTTPS/HSTS, TLS v1.2/v1.3, Network Time Security (NTS), X.509 Certificate PKI, host-based firewall	
<b>Documentation</b>	AXIS OS Hardening Guide	

Axis Vulnerability Management Policy  
 Axis Security Development Model  
 AXIS OS Software Bill of Material (SBOM)  
 To download documents, go to [axis.com/support/cybersecurity/resources](https://axis.com/support/cybersecurity/resources)  
 To read more about Axis cybersecurity support, go to [axis.com/cybersecurity](https://axis.com/cybersecurity)

General	
<b>Casing</b>	IP52-rated Metal casing (aluminum), Acrylic (PMMA) clear dome
<b>Sustainability</b>	PVC free
<b>Power</b>	Axis PoE+ midspan 1-port: 100–240 V AC, max 22.4 W IEEE 802.3at Type 2 Class 4 Camera PoE consumption: typical 11 W, max 17.1 W <b>Multiconnector:</b> 24 V DC +/- 10%, typical 10.5 W, max 16.1 W 24 V AC +/- 10%, typical 16.5 VA, max 25.3 VA
<b>Connectors</b>	RJ45 10BASE-T/100BASE-TX PoE, multiconnector (cable sold separately) for AC/DC power, 4 configurable alarm inputs/outputs, mic in, line mono input, line mono output to active speaker
<b>Storage</b>	Support for SD/SDHC/SDXC card Support for SD card encryption Support for recording to network-attached storage (NAS) For SD card and NAS recommendations see <a href="https://axis.com">axis.com</a>

<b>Operating conditions</b>	0 °C to 50 °C (32 °F to 122 °F) Humidity 10–85% RH (non-condensing)
<b>Storage conditions</b>	-40 °C to 65 °C (-40 °F to 149 °F) Humidity 5–95% RH (non-condensing)
<b>Weight</b>	Camera: 2.85 kg (6.3 lb); with drop-ceiling mount: 3.5 kg (7.7 lb)
<b>Dimensions</b>	Hard-ceiling: Ø198 x 240 mm (Ø7.8 x 9.45 in) Drop-ceiling: Ø248 x 243 mm (Ø9.76 x 9.57 in)
<b>Included accessories</b>	Axis PoE+ midspan 1-port, Recessed mount for hard and drop ceilings, Smoked dome cover Installation Guide, Windows decoder 1-user license
<b>Optional accessories</b>	AXIS P55/AXIS Q60 Multi-connector cable, 5 m AXIS T91 Mounting Accessories, AXIS T8415 Wireless Installation Tool, AXIS T90 Illuminators, AXIS T8310 Video Surveillance Control Board, multi-user decoder license pack
<b>Video management software</b>	AXIS Companion, AXIS Camera Station, Video management software from Axis' Application Development Partners available on <a href="https://www.axis.com/vms">www.axis.com/vms</a>
<b>Languages</b>	English, German, French, Spanish, Italian, Russian, Simplified Chinese, Japanese, Korean, Portuguese, Traditional Chinese, Dutch, Czech, Swedish, Finnish, Turkish, Thai, Vietnamese
<b>Warranty</b>	5-year warranty, see <a href="https://axis.com/warranty">axis.com/warranty</a>

# X CLEAR



**THE WORLD'S ONLY PATENTED  
SELF-WIPING, SELF-CLEANING  
OUTDOOR CAMERA ENCLOSURE**

**SIMPLY THE WORLD'S MOST INNOVATIVE CAMERA ENCLOSURE SYSTEM**

## ENGINEERED FOR ALL CONDITIONS

- ▶ Built To Withstand Severe Weather And Extreme Environmental Demands
- ▶ Hot, Cold, Wet/Rainy, Salty Ocean Air, Grime, Bugs, Blowing Dust
- ▶ Nearly Indestructible Polycarbonate Construction - No Rust Or Corrosion

## COMPREHENSIVE AND CUSTOMIZABLE

- ▶ Integrated Network Switch With PoE+ And 24VDC Passive PoE Ports
- ▶ Remotely Controlled Accessory Power Ports - [2] 12VDC And [2] 24VDC
- ▶ Integrate NVRs, Encoders, Routers And More With Built-In Accessory Rails
- ▶ Extended Volume (EV) Option Adds 520in<sup>3</sup> Of Integration-Ready Space

## REMOTELY MONITOR AND CONTROL

- ▶ Remotely Monitor And Control The Enclosure Via The Web Or API
- ▶ Manually Trigger Or Schedule Automated Dome Wash/Wipe Events
- ▶ Power On/Off - 12VDC, 24VDC, PoE+ And 24VDC Passive PoE Ports
- ▶ Monitor Internal And External Temps, Fluid Levels And Power Loads
- ▶ Fine Tune And Adjust Internal Climate Settings
- ▶ Customize Dome Wash And Wipe Settings

## ECONOMICAL, PRACTICAL, SMART

- ▶ No More Ladders Or Awkward Fiberglass Dome Cleaning Devices
- ▶ No Need To Schedule And Deploy Expensive Cleaning Crews
- ▶ No More Staring at Poor Image Quality Caused By Dirty Dome Lenses
- ▶ Eliminate The Risk Of Workplace Employee Injuries
- ▶ Painless Installation With Wall Mount Bracket (Standard) Or Pole Mount Adapter
- ▶ Power The Enclosure System Via AC Or DC

## INTEGRATE VIRTUALLY ANY CAMERA

- ▶ Compatible With Almost All Cameras With A PT Head Under 7 Inches In Diameter
- ▶ 30-Watt PoE+, 12VDC And 24VDC Web-Enabled Accessory Power Ports



**THE CLEAR IMAGE  
DIFFERENCE**  
SELF-CLEANING CAMERA DOME

US PATENT #8567963B1



**EXPERIENCE THE CLEAR IMAGE DIFFERENCE™**

# HARDWARE

## DURABLE. ROBUST.

## CONVENIENT.

### X/CLEAR ENCLOSURE

Nearly Indestructible Polycarbonate Enclosure - Protect Your Camera And Integrated Components

#### X|SMART SYSTEM TRAY

- ▶ Versatile Power Options, Integrated Networking, Climate Control And Remote Control Via Web Interface

#### INTEGRATED HEAT

- ▶ 20-Watt Integrated Heating Element (Optional 50-Watt Upgrade)
- ▶ Combats Moisture and Condensation
- ▶ Keeps Components Within Operating Temperatures

#### INTUITIVE INTEGRATION

- ▶ Easily Integrate NVRs, Routers, Encoders And Other Peripherals
- ▶ Accessory Mounting Rails For Easy Installation

#### POLYCARBONATE MATERIAL

- ▶ Non-Thermally Conductive
- ▶ Durable And Protective
- ▶ Doesn't Rust, Will Not Corrode

#### CLEANING FLUID SPRAY NOZZLE

- ▶ Coats Dome Lens With Cleaning Fluid Prior To Wiper Contact To Protect From Scratches

#### SELF-CLEANING CAMERA DOME

- ▶ Rotates Against A Fixed Wiper Blade To Clear Dome Of Water Drops Or Residue
- ▶ Reduces Risk Of Image-Obscuring Dome Scratches From Manual Cleaning

#### VERTICAL HINGE

- ▶ No-Fuss Access To Enclosure's Interior For Tank Refills And Component Integration

#### VERSATILE CAMERA INTEGRATION

- ▶ Compatible With Almost All Cameras With A PT Head Under 7" In Diameter
- ▶ Easy Camera Height Adjustment With The Included 10-32 3/8" Hex Standoffs
- ▶ Integrated Camera Power Options: PoE+, 12VDC or 24VDC

#### STAINLESS STEEL LATCHES

- ▶ Secure The Enclosure While Resisting Rust And Corrosion
- ▶ Padlock-Compatible To Protect Your Equipment

#### INTERNAL FLUID RESERVOIR

- ▶ Holds 58oz Of Cleaning Fluid
- ▶ Yields Up To 150 Washes (Based On Settings)

#### INTELLIGENT CABLE INGRESS

- ▶ Reduce The Risk Of Water Intrusion With Cable Entry From Below

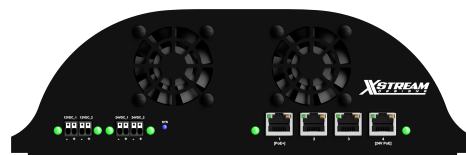


#### SIMPLE AND SECURE MOUNTING



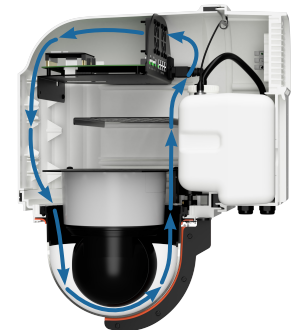
- ▶ Durable Polycarbonate Wall Mount Bracket (Optional Pole Mount Bracket Available)
- ▶ Slide The Enclosure Onto The Bracket, Fasten From The Inside With Four 1/4-20 x 3/4" Bolts
- ▶ Industry-Standard 2" x 5.5" OC Hole Pattern

#### X|SMART SYSTEM TRAY



- ▶ Dual Circulation Fans For Engineered Air Circulation
- ▶ Remotely Controlled Power Inputs: [2] 24 VDC Power Ports, [2] 12VDC Power Ports, [1] 30-Watt PoE+ Ethernet Port, [1] 24VDC Passive PoE Ethernet Port
- ▶ Integrated Networking: 4 Port 10/100Mbps Ethernet Switch
- ▶ Flexible Source Power: 120/240VAC Standard (10-60DC Optional)

#### SUPERIOR AIR CIRCULATION



- ▶ Redundant 6,000 RPM 9.9 CFM Circulation Fans Push And Pull Air Throughout The Entire Enclosure System
- ▶ Protects Equipment By Eliminating Hot Spots

# USER INTERFACE

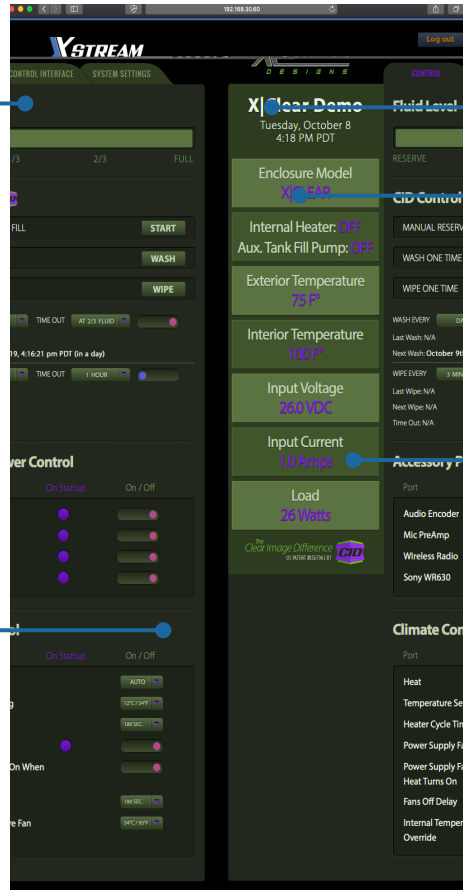
**SIMPLE.  
ACCESSIBLE.**

## CONTROL FROM ANYWHERE

Intuitively Designed For The End User - Ensure Pristine Image Quality With The Click Of A Mouse

### AT-A-GLANCE INFORMATION PANEL

- ▶ See The Enclosure's Local Date And Time
- ▶ Review Power Status Of X|Accessories
- ▶ Check Internal Temperature (Standard)
  - ▶ Check External Temperature With Optional X|EXT-TEMP Accessory
- ▶ Review Current Power Input And Load



### FLUID LEVEL INDICATOR

- ▶ Remotely Monitor Cleaning Fluid Level

### CLEAR IMAGE DIFFERENCE™ CONTROLS

- ▶ Manually Trigger Wash And Wipe Events
- ▶ Schedule Wash And Wipe Events
- ▶ View Previous And Upcoming Events
- ▶ Manually Trigger Reservoir Fills (Requires X|Aux-Reservoir Accessory)

### AUXILIARY POWER CONTROLS

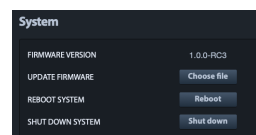
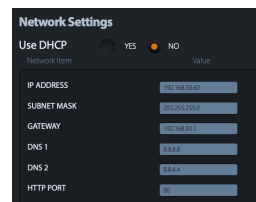
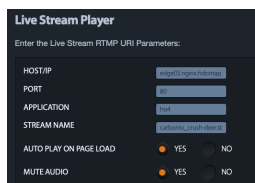
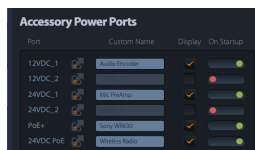
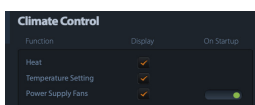
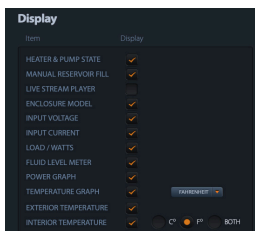
- ▶ 30-Watt PoE+, 24VDC Passive PoE, 12VDC And 24VDC
- ▶ Set Connected Devices To Power On Startup
- ▶ Manually Power Devices On Or Off

### CLIMATE CONTROLS

- ▶ Control The Enclosure's Internal Temperature
- ▶ Adjust Power Supply Fan Settings

## TAILOR YOUR CONTROL PANEL DISPLAY • CONFIGURE NETWORK AND POWER SETTINGS • REBOOT AND POWER CYCLE REMOTELY

- ▶ Name Your Enclosure
- ▶ Choose Which Information Is Displayed Based On Your Needs
- ▶ Name Your Peripherals And Set Start-Up Power Options
- ▶ Integrate The Camera Stream Directly Into The Web Interface
- ▶ Customize Time, Date and Temperature Settings
- ▶ Configure Network Settings



- ▶ Review Power Usage and Temperature Graphs
- ▶ Customize Wash And Wipe Event Duration
- ▶ Adjust Login Credentials And Authentication Requirements
- ▶ Reboot Or Shut Down The Enclosure System
- ▶ All X|Accessories Are Seamlessly And Automatically Integrated Into The Web Interface

# SPECIFICATIONS

## SHIPPING DIMENSIONS / WEIGHT

- ▶ X|CLEAR: 19"L x 15"W x 22"H - 20lbs
- ▶ X|CLEAR-EV: 21"L x 16"W x 25.5"H - 22lbs

## INPUT SOURCE POWER

- ▶ 120/240VAC Input Power (Standard)
- ▶ 10-60VDC Input Power (Optional)

## POWER CONSUMPTION

- ▶ 20 Watts With Typical PTZ Camera
- ▶ 75 Watts - Less Than 3 Seconds During Wash Event

## REMOTELY CONTROLLED AUX POWER PORTS

- ▶ [2] - 12VDC Ports
- ▶ [2] - 24VDC Ports
- ▶ [1] - IEEE 802.3at 30-Watt PoE+ 10/100Mbps Ethernet Port
- ▶ [1] - 24VDC Passive PoE Ethernet Port (Wireless Radios)

## ENCLOSURE OPERATING TEMPERATURES

- ▶ 0° to 145° F (-40° to 63° C)  
Temperatures Vary Depending On Integrated Components. Check Operating Temperatures Of Integrated Cameras And Components As They May Vary

## ENCLOSURE MOUNTING

- ▶ Wall Mount Bracket (Standard)  
Requires [4] 1/4-20 x 3/4" Bolts (Included)  
Industry-Standard 2" x 5.5" OC Hole Pattern
- ▶ Pole Mount Bracket (Optional)

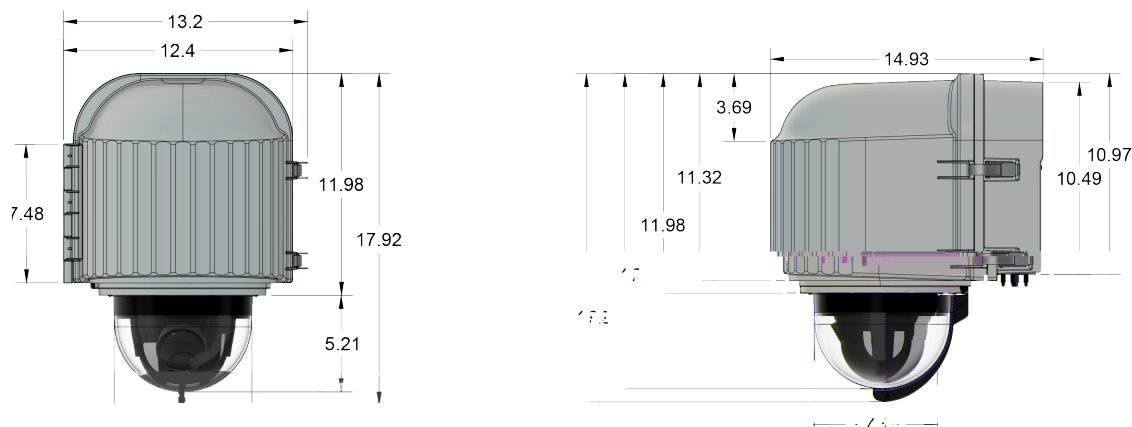
## REMOTE CLIMATE CONTROL

- ▶ 20 Watt Heating Element (Standard)
- ▶ 50 Watt Heating Element (Optional)

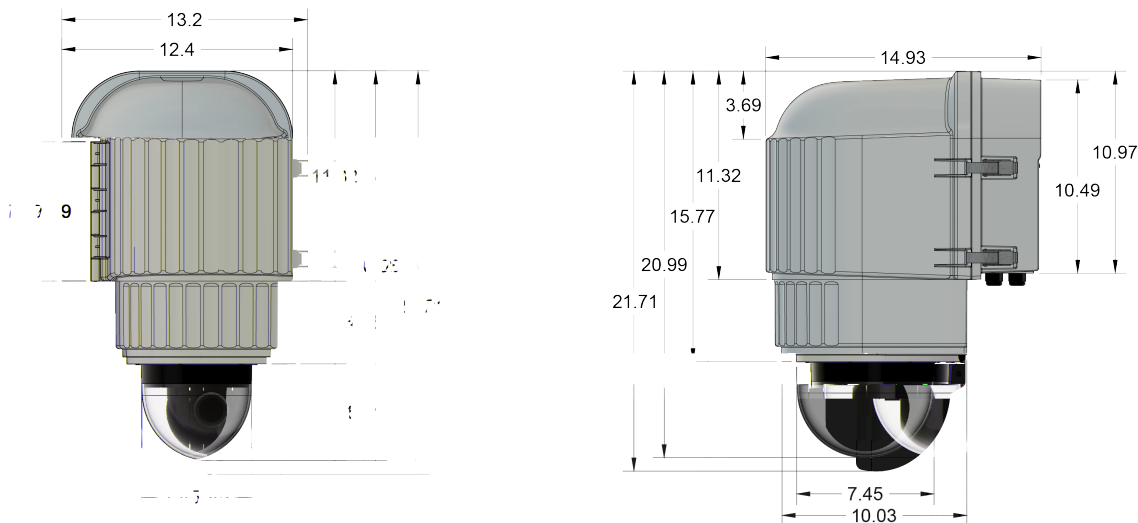
## USER INTERFACE REQUIREMENTS

- ▶ Network Connection Required
- ▶ Compatible With All Modern Browsers  
Internet Explorer Not Recommended
- ▶ Full API Documentation

# DIMENSIONS - X|CLEAR (STANDARD)



# DIMENSIONS - X|CLEAR-EV (EXTENDED VOLUME VERSION)



# UPGRADES / ACCESSORIES / OPTIONS

- ▶ X|DC-INPUT - 10-60VDC Input Power for Solar Installations
- ▶ X|AUX-RESERVOIR - External Auxiliary Fluid Reservoir
- ▶ X|INSULATE - Open Cell Silicone Foam Radiant Heat Shielding
- ▶ X|PMB - Pole Mount Adapter with Leveling Plate
- ▶ X|EXT-TEMP - External Temperature Probe
- ▶ X|HALF-SHELF - Accessory Shelf
- ▶ X|HIGH-CFM - High CFM Fans
- ▶ X|NVR - i3, i5 or i7 Processor Option
- ▶ X|50WH - 50-Watt Internal Heating Element



sales@xstreamdesigns.com  
xstreamdesigns.com  
858.768.2992

US Patents US8567963B1 • USD744570S1

**EXPERIENCE THE CLEAR IMAGE DIFFERENCE™**