

COASTAL STREAMING PACKAGE



DESIGN • BUILD • INSTALL • STREAM

ANY SCREEN. ANY DEVICE.
STREAMING SERVICES REDEFINED.



SEAMLESS INTEGRATION - STREAM TO ANY DEVICE

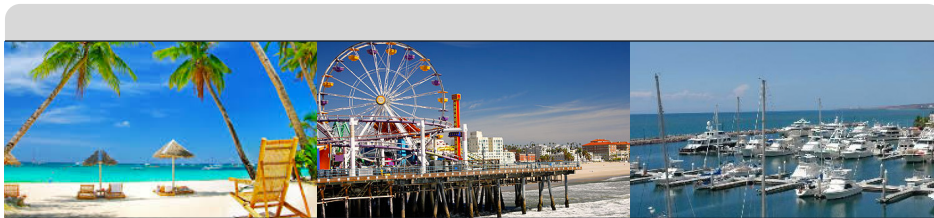
Adding a live stream to your website is **easy & secure!** Simply add the single line of HTML code that we provide to your website and the rest is handled by our network. Stream to unlimited concurrent viewers while only impacting your network with one stream uploaded to our network. **Any screen, any device, any number of viewers.**

CUSTOMIZED AND SECURED TO PROTECT YOUR BRAND

Brand your live stream by placing your company logo on the video feed as a **watermark** overlay. **Anti-stream Hijacking** ensures that your live stream can only be displayed on the websites that you specify and redirects users to the URL of **your choice** if someone does attempt to steal your stream.

MARKETING TOOLS THAT INCREASE YOUR VISIBILITY

Our automated **Time-Lapse Service** generates time-lapse movies for you to embed on your website or upload to social media (YouTube, Facebook, Google+, etc.). Use **Video Ad Inserts** to display short promo clips about your services before or during your live stream. Our **Snapshot Proxy** tool creates real-time images of your live stream with overlay watermarks to use them on your website or social media.



ENGAGE YOUR AUDIENCE WITH CRYSTAL-CLEAR HD LIVE STREAMS

The Coastal Streaming Package is the perfect solution for seaside hotels, marinas, beaches... anywhere with damp or salty air. Combat grime and salt build-up with our patented self-cleaning camera enclosure while you focus on the most compelling angle for your viewers.

Get started today by calling (858) 481-4096 or visiting hdontap.com

PACKAGE INCLUDES:

HIGH DEFINITION PTZ CAMERA

- Axis Q6078-E 4K UltraHD PTZ Camera
- 20x Optical Zoom
- Axis Superior IP Camera Technology
- Day/Night Mode - Manual or Auto

XCLEAR ENCLOSURE

- Patented Self-Cleaning Housing
- Polycarbonate Construction - No Rust or Corrosion
- 40x Plus Optically Pure Dome Lens
- Easy Mounting System w/ Precision Leveling and Adjustment

1 YEAR LITE STREAMING PLAN

- 4,000 Viewer Hours
- Up to 2 Webcams
- Desktop & Mobile Streaming
- Anti-Stream Hijacking Security
- Logo Overlay & Social Sharing Player

HARDWARE:	\$6,813 MSRP
STREAMING:	\$3,348 MSRP
PACKAGE PRICE:	\$7,395
SAVINGS:	\$2,767

Monthly payment option w/ approved credit

AXIS Q6078-E PTZ Camera

Outdoor-ready PTZ with UHD 4K

AXIS Q6078-E PTZ Camera offers UHD 4K with 20x optical zoom for outstanding video quality. It offers great overviews and detail with the clearest, sharpest colors. This high-performance outdoor PTZ camera comes with autotracking 2 with click and track functionality, as well as an orientation aid for active object tracking and quick orientation. Featuring built-in cybersecurity such as signed firmware and secure boot it ensures the integrity and authenticity of the firmware. Axis Zipstream with H.264/ H.265 significantly reduces bandwidth and storage requirements. Furthermore, AXIS Object Analytics offers highly granular and nuanced object classification.

- > [UHD 4K with 20x optical zoom](#)
- > [Outstanding images with great details](#)
- > [Zipstream with support for H.264/H.265](#)
- > [AXIS Object Analytics](#)
- > [Built-in cybersecurity features](#)



AXIS Q6078-E PTZ Camera

Camera	
Models	AXIS Q6078-E 50 Hz AXIS Q6078-E 60 Hz
Image sensor	1/2.5" progressive scan RGB CMOS
Lens	4.4–88.4 mm, F2.0–3.8 Horizontal field of view: 68.3°–4.2° Vertical field of view: 42.1°–2.34° Autofocus, P-iris control
Day and night	Automatically removable infrared-cut filter
Minimum illumination	Color: 0.2 lux at 30 IRE, F2.0 B/W: 0.002 lux at 30 IRE, F2.0
Shutter speed	1/10000 s to 1 s
Pan/Tilt/Zoom	Pan: 360° endless, 0.05°–450°/s Tilt: 220°, 0.05°–450°/s Zoom: 20x optical, 12x digital, total 240x zoom E-flip, 256 preset positions, tour recording (max 10, max duration 16 minutes each), guard tour (max 100), control queue, on-screen directional indicator, orientation aid PTZ, set new pan 0°, adjustable zoom speed, focus recall
System on chip (SoC)	
Model	ARTPEC-7
Memory	2 GB RAM, 512 MB Flash
Compute capabilities	Machine learning processing unit (MLPU)
Video	
Video compression	H.264 (MPEG-4 Part 10/AVC) Baseline, Main and High Profiles H.265 (MPEG-H Part 2/HEVC) Main Profile Motion JPEG
Resolution	3840x2160 4K 2160p to 320x180
Frame rate	Up to 25/30 fps (50/60 Hz) in 4K Up to 50/60 fps (50/60 Hz) in all other resolutions
Video streaming	Multiple, individually configurable streams in H.264, H.265 and Motion JPEG Axis Zipstream technology in H.264 and H.265 Controllable frame rate and bandwidth VBR/ABR/MBR H.264/H.265
Image settings	Manual shutter time, compression, color, brightness, sharpness, WDR – dynamic contrast, white balance, exposure control, exposure zones, fine tuning of behavior at low light, rotation: 0°, 180°, text and image overlay, polygon privacy masks, electronic image stabilization (EIS), freeze on PTZ, defog, backlight compensation, scene profiles
Network	
Security	IP address filtering, HTTPS ^a encryption, IEEE 802.1x (EAP-TLS) ^a network access control, user access log, centralized certificate management
Network protocols	IPv4, IPv6 USGv6, ICMPv4/ICMPv6, HTTP, HTTP/2, HTTPS ^a , TLS ^a , QoS Layer 3 DiffServ, FTP, SFTP, CIFS/SMB, SMTP, mDNS (Bonjour), UPnP [®] , SNMP v1/v2c/v3 (MIB-II), DNS/DNSv6, DDNS, NTP, NTS, RTSP, RTP, SRTP/RTSPS, TCP, UDP, IGMPv1/v2/v3, RTCP, ICMP, DHCPv4/v6, ARP, SSH, NTCIP, LLDP, CDP, MQTT v3.1.1, Secure syslog (RFC 3164/5424, UDP/TCP/TLS), Link-Local address (ZeroConf)
System integration	
Application Programming Interface	Open API for software integration, including VAPIX [®] and AXIS Camera Application Platform; specifications at axis.com One-Click Cloud Connection ONVIF [®] Profile G, ONVIF [®] Profile S and ONVIF [®] Profile T, specification at onvif.org
Event conditions	Device status: above operating temperature, above or below operating temperature, below operating temperature, fan failure, IP address removed, network lost, new IP address, shock detected, storage failure, system ready, within operating temperature Edge storage: recording ongoing, storage disruption I/O: manual trigger, virtual input MQTT subscribe PTZ: PTZ malfunctioning, PTZ movement, PTZ preset position reached, PTZ ready

	Scheduled and recurring: scheduled event Video: live stream open
Event actions	Day/night mode, overlay text, video recording to edge storage, pre- and post-alarm video buffering, send SNMP trap PTZ: PTZ preset, start/stop guard tour File upload via FTP, SFTP, HTTP, HTTPS network share and email MQTT publish Notification via email, HTTP, HTTPS and TCP
Built-in installation aids	Pixel counter, leveling guide
Analytics	
AXIS Object Analytics	Object classes: humans, vehicles Scenarios: line crossing, object in area, time in area Up to 10 scenarios Metadata visualized with trajectories, color-coded bounding boxes and tables Polygon include/exclude areas Perspective configuration ONVIF Motion Alarm event
Metadata	Object data: Classes: humans, faces, vehicles (types: cars, buses, trucks, bikes), license plates Confidence, position Event data: Producer reference, scenarios, trigger conditions
Applications	Included AXIS Object Analytics, AXIS Video Motion Detection, AXIS Motion Guard, AXIS Fence Guard, AXIS Loitering Guard, autotracking 2, active gatekeeper, AXIS OSDI Zones, Orientation Aid PTZ Support for AXIS Camera Application Platform enabling installation of third-party applications, see axis.com/acap
Approvals	
EMC	EN 55032 Class A, EN 55035, EN 61000-3-2, EN 61000-3-3, EN 61000-6-1, EN 61000-6-2, EN 50121-4, IEC 62236-4 Australia/New Zealand: RCM AS/NZS CISPR 32 Class A Canada: ICES-3(A)/NMB-3(A) Japan: VCCI Class A Korea: KCC KN32 Class A, KN35 USA: FCC Part 15 Subpart B Class A
Safety	IEC/EN/UL 60950-1, IEC/EN/UL 60950-22, IEC/EN/UL 62368-1, IS 13252
Environment	IEC/EN 60529 IP66/IP67, NEMA TS 2 (2.2.7-2.2.9), IEC 62262 IK10, ISO 4892-2, EN 50121-4, IEC 62236-4, IEC 60068-2-1, IEC 60068-2-2, IEC 60068-2-6, IEC 60068-2-14, IEC 60068-2-27, IEC 60068-2-60, IEC 60068-2-78, NEMA 250 Type 4X
Network	NIST SP500-267
Cybersecurity	ETSI EN 303 645 Midspan: EN 60950-1, GS, UL, cUL, CE, FCC, VCCI, CB, KCC, UL-AR
Cybersecurity	
Edge security	Software: Signed firmware, brute force delay protection, digest authentication and OAuth 2.0 RFC6749 OpenID Authorization Code Flow for centralized ADFS account management, password protection, AES-XTS-Plain64 256bit SD card encryption Hardware: Axis Edge Vault cybersecurity platform TPM 2.0 (CC EAL4+, FIPS 140-2 Level 2), secure element (CC EAL 6+), Axis device ID, secure keystore, signed video, secure boot
Network security	IEEE 802.1X (EAP-TLS, PEAP-MSCHAPv2) ^a , IEEE 802.1AE (MACsec PSK/EAP-TLS), IEEE 802.1AR, HTTPS/HSTS ^a , TLS v1.2/v1.3 ^a , Network Time Security (NTS), X.509 Certificate PKI, host-based firewall
Documentation	AXIS OS Hardening Guide Axis Vulnerability Management Policy Axis Security Development Model AXIS OS Software Bill of Material (SBOM) To download documents, go to axis.com/support/cybersecurity/resources

To read more about Axis cybersecurity support, go to axis.com/cybersecurity

General	
Casing	IP66-, IP67-, NEMA 4X- and IK10-rated Metal casing (aluminum), polycarbonate (PC) clear dome, sunshield (ASA)
Sustainability	PVC free
Power	Axis High PoE 60 W SFP midspan: 100–240 V AC, max 66.1 W Camera consumption: typical 16 W, max 51 W
Connectors	RJ45 10BASE-T/100BASE-TX PoE, RJ45 Push-pull Connector (IP66/IP67) included
Storage	Support for SD/SDHC/SDXC card Support for SD card encryption (AES-XTS-Plain64 256bit) Support for recording to network-attached storage (NAS) For SD card and NAS recommendations see axis.com
Operating conditions	With 30 W: -20 °C to 50 °C (-4 °F to 122 °F) With 60 W: -50 °C to 50 °C (-58 °F to 122 °F) Maximum temperature according to NEMA TS 2 (2.2.7): 74 °C (165 °F) Arctic Temperature Control: Start-up as low as -40 °C (-40 °F) Humidity 10–100% RH (condensing)

Storage conditions	-40 °C to 65 °C (-40 °F to 149 °F)
Weight	3.75 kg (8.3 lb)
Dimensions	Ø232 x 271 mm (Ø9 1/8 x 10.7 in)
Included accessories	Axis High PoE 60 W SFP midspan 1-port, RJ45 Push-pull Connector (IP66), Sunshield Installation Guide, Windows decoder 1-user license
Optional accessories	Smoked dome cover AXIS T91 Mounting Accessories, AXIS T8415 Wireless Installation Tool, AXIS T90 Illuminators, AXIS T8310 Video Surveillance Control Board, multi-user decoder license pack
Video management software	AXIS Companion, AXIS Camera Station, Video management software from Axis' Application Development Partners available on www.axis.com/vms
Languages	English, German, French, Spanish, Italian, Russian, Simplified Chinese, Japanese, Korean, Portuguese, Traditional Chinese, Dutch, Czech, Swedish, Finnish, Turkish, Thai, Vietnamese
Warranty	5-year warranty, see axis.com/warranty

- a. *This product includes software developed by the OpenSSL Project for use in the OpenSSL Toolkit. (openssl.org), and cryptographic software written by Eric Young (eay@cryptsoft.com).*

X CLEAR



**THE WORLD'S ONLY PATENTED
SELF-WIPING, SELF-CLEANING
OUTDOOR CAMERA ENCLOSURE**

SIMPLY THE WORLD'S MOST INNOVATIVE CAMERA ENCLOSURE SYSTEM

ENGINEERED FOR ALL CONDITIONS

- ▶ Built To Withstand Severe Weather And Extreme Environmental Demands
- ▶ Hot, Cold, Wet/Rainy, Salty Ocean Air, Grime, Bugs, Blowing Dust
- ▶ Nearly Indestructible Polycarbonate Construction - No Rust Or Corrosion

COMPREHENSIVE AND CUSTOMIZABLE

- ▶ Integrated Network Switch With PoE+ And 24VDC Passive PoE Ports
- ▶ Remotely Controlled Accessory Power Ports - [2] 12VDC And [2] 24VDC
- ▶ Integrate NVRs, Encoders, Routers And More With Built-In Accessory Rails
- ▶ Extended Volume (EV) Option Adds 520in³ Of Integration-Ready Space

REMOTELY MONITOR AND CONTROL

- ▶ Remotely Monitor And Control The Enclosure Via The Web Or API
- ▶ Manually Trigger Or Schedule Automated Dome Wash/Wipe Events
- ▶ Power On/Off - 12VDC, 24VDC, PoE+ And 24VDC Passive PoE Ports
- ▶ Monitor Internal And External Temps, Fluid Levels And Power Loads
- ▶ Fine Tune And Adjust Internal Climate Settings
- ▶ Customize Dome Wash And Wipe Settings

ECONOMICAL, PRACTICAL, SMART

- ▶ No More Ladders Or Awkward Fiberglass Dome Cleaning Devices
- ▶ No Need To Schedule And Deploy Expensive Cleaning Crews
- ▶ No More Staring at Poor Image Quality Caused By Dirty Dome Lenses
- ▶ Eliminate The Risk Of Workplace Employee Injuries
- ▶ Painless Installation With Wall Mount Bracket (Standard) Or Pole Mount Adapter
- ▶ Power The Enclosure System Via AC Or DC

INTEGRATE VIRTUALLY ANY CAMERA

- ▶ Compatible With Almost All Cameras With A PT Head Under 7 Inches In Diameter
- ▶ 30-Watt PoE+, 12VDC And 24VDC Web-Enabled Accessory Power Ports



**THE CLEAR IMAGE
DIFFERENCE**
SELF-CLEANING CAMERA DOME

US PATENT #8567963B1



SONY

Canon

Panasonic

SAMSUNG

BOSCH

OOOPTICS

BirdDog

ahua
TECHNOLOGY

IC REALTIME
Security Solutions

BOLIN
TECHNOLOGY

AVIGILON
a Motorola Solutions Company

Hanwha

Arecont Vision

ROBOTIX

HIKVISION

EXPERIENCE THE CLEAR IMAGE DIFFERENCE™

HARDWARE

DURABLE. ROBUST.

CONVENIENT.

X/CLEAR ENCLOSURE

Nearly Indestructible Polycarbonate Enclosure - Protect Your Camera And Integrated Components

X|SMART SYSTEM TRAY

- ▶ Versatile Power Options, Integrated Networking, Climate Control And Remote Control Via Web Interface

INTEGRATED HEAT

- ▶ 20-Watt Integrated Heating Element (Optional 50-Watt Upgrade)
- ▶ Combats Moisture and Condensation
- ▶ Keeps Components Within Operating Temperatures

INTUITIVE INTEGRATION

- ▶ Easily Integrate NVRs, Routers, Encoders And Other Peripherals
- ▶ Accessory Mounting Rails For Easy Installation

POLYCARBONATE MATERIAL

- ▶ Non-Thermally Conductive
- ▶ Durable And Protective
- ▶ Doesn't Rust, Will Not Corrode

CLEANING FLUID SPRAY NOZZLE

- ▶ Coats Dome Lens With Cleaning Fluid Prior To Wiper Contact To Protect From Scratches

SELF-CLEANING CAMERA DOME

- ▶ Rotates Against A Fixed Wiper Blade To Clear Dome Of Water Drops Or Residue
- ▶ Reduces Risk Of Image-Obscuring Dome Scratches From Manual Cleaning

VERTICAL HINGE

- ▶ No-Fuss Access To Enclosure's Interior For Tank Refills And Component Integration

VERSATILE CAMERA INTEGRATION

- ▶ Compatible With Almost All Cameras With A PT Head Under 7" In Diameter
- ▶ Easy Camera Height Adjustment With The Included 10-32 3/8" Hex Standoffs
- ▶ Integrated Camera Power Options: PoE+, 12VDC or 24VDC

STAINLESS STEEL LATCHES

- ▶ Secure The Enclosure While Resisting Rust And Corrosion
- ▶ Padlock-Compatible To Protect Your Equipment

INTERNAL FLUID RESERVOIR

- ▶ Holds 58oz Of Cleaning Fluid
- ▶ Yields Up To 150 Washes (Based On Settings)

INTELLIGENT CABLE INGRESS

- ▶ Reduce The Risk Of Water Intrusion With Cable Entry From Below

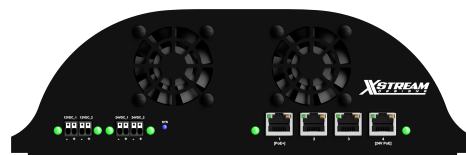


SIMPLE AND SECURE MOUNTING



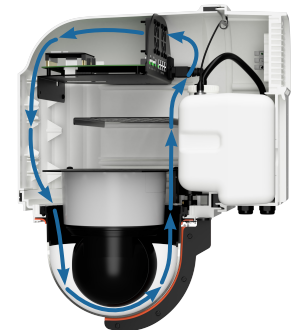
- ▶ Durable Polycarbonate Wall Mount Bracket (Optional Pole Mount Bracket Available)
- ▶ Slide The Enclosure Onto The Bracket, Fasten From The Inside With Four 1/4-20 x 3/4" Bolts
- ▶ Industry-Standard 2" x 5.5" OC Hole Pattern

X|SMART SYSTEM TRAY



- ▶ Dual Circulation Fans For Engineered Air Circulation
- ▶ Remotely Controlled Power Inputs: [2] 24 VDC Power Ports, [2] 12VDC Power Ports, [1] 30-Watt PoE+ Ethernet Port, [1] 24VDC Passive PoE Ethernet Port
- ▶ Integrated Networking: 4 Port 10/100Mbps Ethernet Switch
- ▶ Flexible Source Power: 120/240VAC Standard (10-60DC Optional)

SUPERIOR AIR CIRCULATION



- ▶ Redundant 6,000 RPM 9.9 CFM Circulation Fans Push And Pull Air Throughout The Entire Enclosure System
- ▶ Protects Equipment By Eliminating Hot Spots

USER INTERFACE

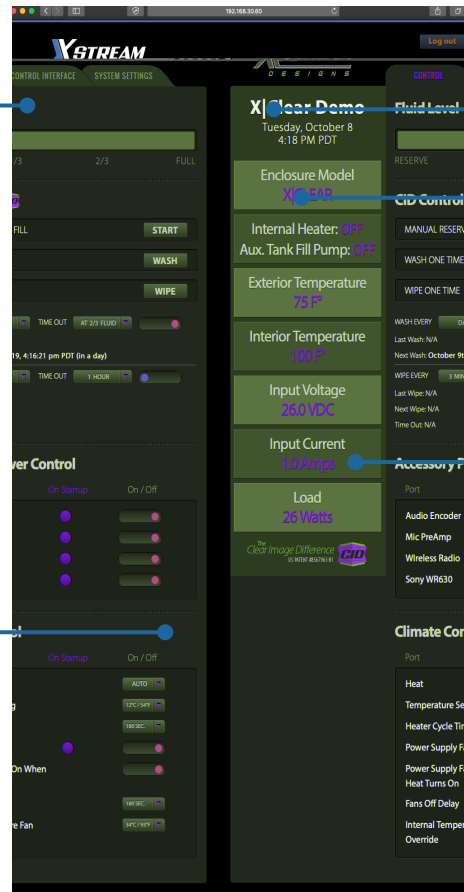
**SIMPLE.
ACCESSIBLE.**

CONTROL FROM ANYWHERE

Intuitively Designed For The End User - Ensure Pristine Image Quality With The Click Of A Mouse

AT-A-GLANCE INFORMATION PANEL

- ▶ See The Enclosure's Local Date And Time
- ▶ Review Power Status Of X|Accessories
- ▶ Check Internal Temperature (Standard)
 - ▶ Check External Temperature With Optional X|EXT-TEMP Accessory
- ▶ Review Current Power Input And Load



FLUID LEVEL INDICATOR

- ▶ Remotely Monitor Cleaning Fluid Level

CLEAR IMAGE DIFFERENCE™ CONTROLS

- ▶ Manually Trigger Wash And Wipe Events
- ▶ Schedule Wash And Wipe Events
- ▶ View Previous And Upcoming Events
- ▶ Manually Trigger Reservoir Fills (Requires X|Aux-Reservoir Accessory)

AUXILIARY POWER CONTROLS

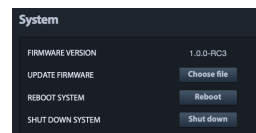
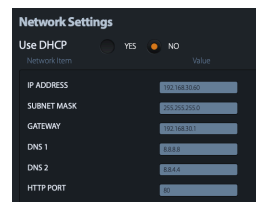
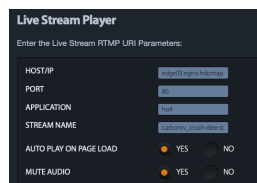
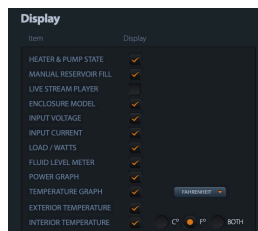
- ▶ 30-Watt PoE+, 24VDC Passive PoE, 12VDC And 24VDC
- ▶ Set Connected Devices To Power On Startup
- ▶ Manually Power Devices On Or Off

CLIMATE CONTROLS

- ▶ Control The Enclosure's Internal Temperature
 - ▶ Adjust Power Supply Fan Settings

TAILOR YOUR CONTROL PANEL DISPLAY • CONFIGURE NETWORK AND POWER SETTINGS • REBOOT AND POWER CYCLE REMOTELY

- ▶ Name Your Enclosure
- ▶ Choose Which Information Is Displayed Based On Your Needs
- ▶ Name Your Peripherals And Set Start-Up Power Options
- ▶ Integrate The Camera Stream Directly Into The Web Interface
- ▶ Customize Time, Date and Temperature Settings
- ▶ Configure Network Settings



- ▶ Review Power Usage and Temperature Graphs
- ▶ Customize Wash And Wipe Event Duration
- ▶ Adjust Login Credentials And Authentication Requirements
- ▶ Reboot Or Shut Down The Enclosure System
- ▶ All X|Accessories Are Seamlessly And Automatically Integrated Into The Web Interface

SPECIFICATIONS

SHIPPING DIMENSIONS / WEIGHT

- ▶ X|CLEAR: 19"L x 15"W x 22"H - 20lbs
- ▶ X|CLEAR-EV: 21"L x 16"W x 25.5"H - 22lbs

INPUT SOURCE POWER

- ▶ 120/240VAC Input Power (Standard)
- ▶ 10-60VDC Input Power (Optional)

POWER CONSUMPTION

- ▶ 20 Watts With Typical PTZ Camera
- ▶ 75 Watts - Less Than 3 Seconds During Wash Event

REMOTELY CONTROLLED AUX POWER PORTS

- ▶ [2] - 12VDC Ports
- ▶ [2] - 24VDC Ports
- ▶ [1] - IEEE 802.3at 30-Watt PoE+ 10/100Mbps Ethernet Port
- ▶ [1] - 24VDC Passive PoE Ethernet Port (Wireless Radios)

ENCLOSURE OPERATING TEMPERATURES

- ▶ 0° to 145° F (-40° to 63° C)
Temperatures Vary Depending On Integrated Components. Check Operating Temperatures Of Integrated Cameras And Components As They May Vary

ENCLOSURE MOUNTING

- ▶ Wall Mount Bracket (Standard)
Requires [4] 1/4-20 x 3/4" Bolts (Included)
Industry-Standard 2" x 5.5" OC Hole Pattern
- ▶ Pole Mount Bracket (Optional)

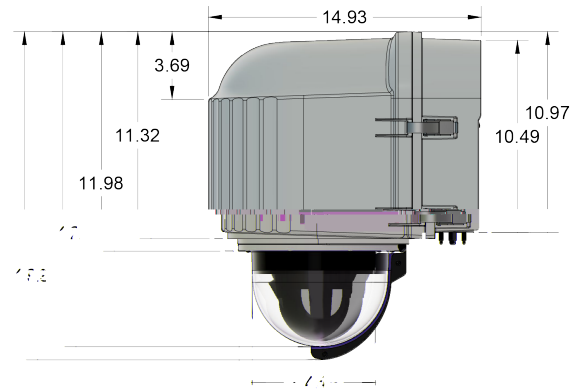
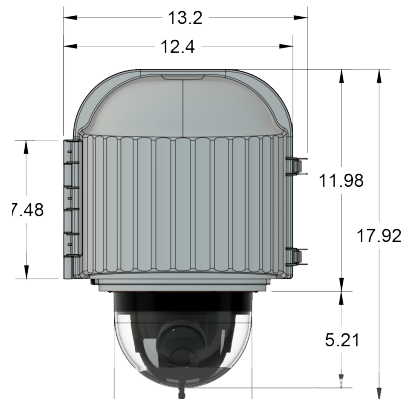
REMOTE CLIMATE CONTROL

- ▶ 20 Watt Heating Element (Standard)
- ▶ 50 Watt Heating Element (Optional)

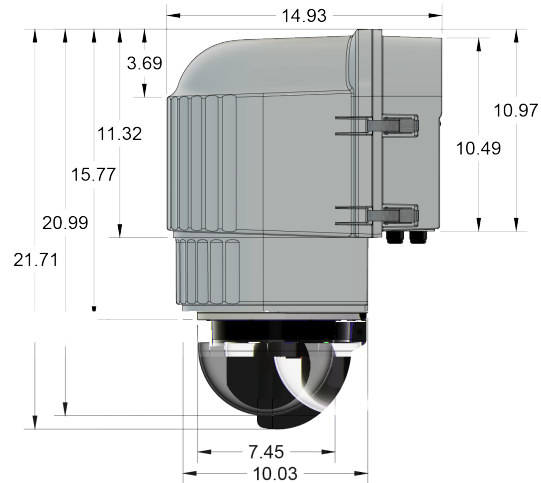
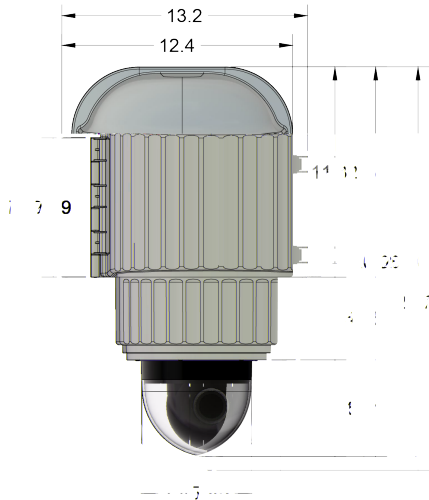
USER INTERFACE REQUIREMENTS

- ▶ Network Connection Required
- ▶ Compatible With All Modern Browsers
Internet Explorer Not Recommended
- ▶ Full API Documentation

DIMENSIONS - X|CLEAR (STANDARD)



DIMENSIONS - X|CLEAR-EV (EXTENDED VOLUME VERSION)



UPGRADES / ACCESSORIES / OPTIONS

- ▶ X|DC-INPUT - 10-60VDC Input Power for Solar Installations
- ▶ X|AUX-RESERVOIR - External Auxiliary Fluid Reservoir
- ▶ X|INSULATE - Open Cell Silicone Foam Radiant Heat Shielding
- ▶ X|PMB - Pole Mount Adapter with Leveling Plate
- ▶ X|EXT-TEMP - External Temperature Probe
- ▶ X|HALF-SHELF - Accessory Shelf
- ▶ X|HIGH-CFM - High CFM Fans
- ▶ X|NVR - i3, i5 or i7 Processor Option
- ▶ X|50WH - 50-Watt Internal Heating Element



sales@xstreamdesigns.com
xstreamdesigns.com
858.768.2992

US Patents US8567963B1 • USD744570S1

EXPERIENCE THE CLEAR IMAGE DIFFERENCE™