

# X-COLD



**PATENTED DESIGN · INTELLIGENT TECH**  
**EXTREME HEAT PROTECTION**  
**SOLID STATE COOLING TECHNOLOGY**

**SIMPLY THE WORLD'S MOST INNOVATIVE CAMERA ENCLOSURE SYSTEM**

## ENGINEERED FOR EXTREME HEAT CONDITIONS

- ▶ Built To Withstand Extreme Heat (Up to 160° F / 71° C)
- ▶ Redundant Peltier-Based Thermoelectric Cooling
- ▶ Non-Thermally-Conductive Polycarbonate Housing
- ▶ F12 Open Cell Silicone Foam Insulation Provides Radiant Heat Shielding
- ▶ Dual/Redundant Circulation Fans Eliminate Hot Spots

## COMPREHENSIVE AND CUSTOMIZABLE

- ▶ Integrated Network Switch With Four PoE+ Ports
- ▶ Remotely Controllable Accessory Power Ports - [2] - 12VDC, [2] - 24VDC
- ▶ Integrate NVRs, Encoders, Routers And More With Built-In Accessory Rails
- ▶ Extended Volume (EV) Option Adds 520in<sup>3</sup> Of Integration-Ready Space

## REMOTELY MONITOR AND CONTROL

- ▶ Remotely Monitor And Control The Enclosure Via The Web Or API
- ▶ Power On/Off - 12VDC, 24VDC, And PoE+ Ports
- ▶ Monitor Internal And External Temperatures And Power Loads

## ECONOMICAL, PRACTICAL, SMART

- ▶ Painless Installation With Standard Wall Mount Bracket Or Pole Mount Adapter\*
- ▶ Nearly Indestructible Polycarbonate Construction - No Rust Or Corrosion
- ▶ Efficient Solid State Cooling With 140 Watt Typical Power Load
- ▶ Keeps Integrated Components Within Operating Temperatures In Extreme Heat

## INTEGRATE VIRTUALLY ANY CAMERA

- ▶ Compatible With Any Camera With A Pan/Tilt Head Under A 7.25" Diameter
- ▶ 30 Watt PoE+, 12VDC And 24VDC Web Enabled Accessory Power Ports



**THE TEMPERATURE STABILIZING DIFFERENCE**  
**SELF-COOLING CAMERA ENCLOSURE**



SONY

Canon

Panasonic

SAMSUNG

BOSCH

OOOPTICS



**HARDWARE**  
**DURABLE. ROBUST.**  
**CONVENIENT.**

## X/COLD ENCLOSURE

Nearly Indestructible Polycarbonate Enclosure - Protect Your Camera And Integrated Components

### X|SMART SYSTEM TRAY

- ▶ Versatile Power Options, Integrated Networking, Climate Control And Remote Control Via Web Interface

### INTEGRATED HEAT

- ▶ 10 Watt Integrated Heat - Warms Enclosure (Optional 30W Upgrade)
- ▶ Keeps Components Within Operating Temperatures
- ▶ Combats Moisture and Condensation

### RADIANT HEAT SHIELDING

- ▶ Open Cell Silicone Foam Insulation

### INTUITIVE INTEGRATION

- ▶ Easily Integrate NVRs, Routers, Encoders And Other Peripherals
- ▶ Accessory Mounting Rails For Easy Installation

### EXTENDED VOLUME LOWER TRAY

- ▶ X|Cold-EV Model
- ▶ Provides An Additional 520<sup>3</sup> Inches Of Integration-Ready Space

### POLYCARBONATE MATERIAL

- ▶ Non-Thermally Conductive
- ▶ Durable, Protective Construction Will Not Rust Or Corrode

### VERSATILE CAMERA INTEGRATION

- ▶ Any Camera With A P/T Head Diameter Under 7.25"
- ▶ Included Hex Standoffs For Easy Height Adjustment
- ▶ Integrated Power Options: PoE+, 12VDC or 24VDC

### REDUNDANT COOLING MODULES

- ▶ Dual Thermoelectric Cooling Assemblies Cool The Interior Without Exposing Electronics To Outside Air

### EXTERNAL POWER SUPPLY

- ▶ 90-240VAC Input Protected By An Integrated Rain Shield

### SURGE AND EMI PROTECTION

- ▶ Protection Against Voltage Spikes And Electromagnetic Interference

### STAINLESS STEEL LATCHES

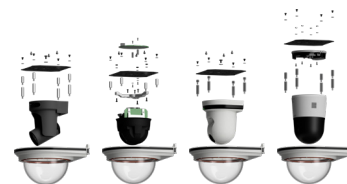
- ▶ Secure The Enclosure While Resisting Rust And Corrosion
- ▶ Safeguard Your Equipment With A Padlock (Optional)

### INTELLIGENT CABLE INGRESS

- ▶ Reduces Risk of Water Intrusion With Cable Entry From Below

### VERTICAL HINGE

- ▶ No-Fuss Access To Enclosure Interior

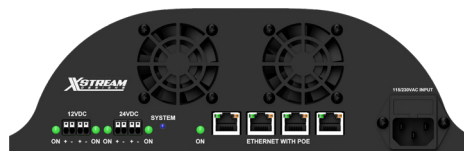


### INTUITIVE SYSTEM MOUNTING



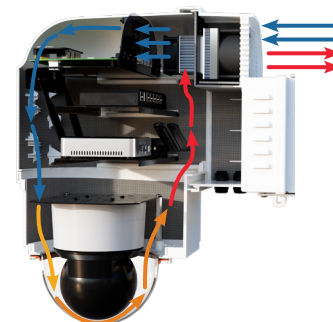
- ▶ Integrated External Power Supply Chassis Mounts Either To The Wall Or Pole Mount Bracket (With Integrated Leveling Plate)
- ▶ Slide The Enclosure Onto The Bracket And Secure With A Padlock
- ▶ Stylish White Powder Coated Aluminum And Stainless Steel Hardware Resists Rust

### X|SMART SYSTEM TRAY



- ▶ Dual Circulation Fans Provide Redundant Circulation of Cooled Air, Eliminating Hot Spots
- ▶ Remotely Controlled Power Inputs: [2] 24 VDC Power Ports, [2] 12VDC Power Ports, [4] 30 Watt PoE+ Ethernet Ports
- ▶ Integrated Networking: 4 Port 10/100Mbps Ethernet Switch

### SUPERIOR AIR CIRCULATION



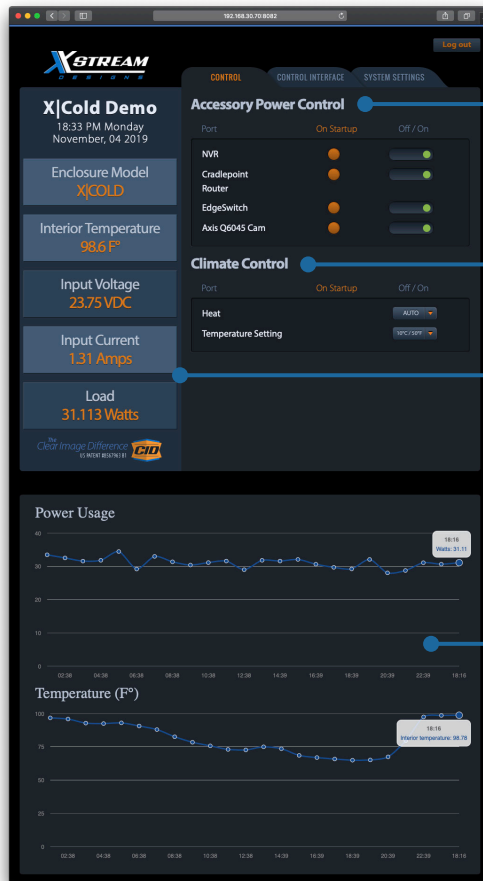
- ▶ Redundant 6,000 RPM 9.9 CFM Circulation Fans Push And Pull Air Throughout The Entire Enclosure System
- ▶ Protects Equipment By Eliminating Hot Spots

# USER INTERFACE

## SIMPLE. INTUITIVE. ACCESSIBLE.

# MONITOR AND CONTROL FROM ANYWHERE

Intuitively Designed For The End User - Remotely Control With The Click Of A Mouse



**AUXILIARY POWER CONTROLS**

- ▶ 30 Watt PoE+, 12VDC And 24VDC
- ▶ Set Connected Devices To Power On Startup
- ▶ Manually Power Devices On Or Off

**CLIMATE CONTROLS**

- ▶ Control The Internal Heat Settings

**AT-A-GLANCE INFORMATION**

- ▶ See The Enclosure's Local Date And Time
- ▶ Review Power Status Of X|Accessories
- ▶ Check Internal Temperature (Standard)
- ▶ Check External Temperature With Optional X|EXT-TEMP Accessory
- ▶ Review Current Power Input And Load

**POWER AND TEMPERATURE GRAPHS**

- ▶ See Power Usage And Temperature Over Time

## TAILOR YOUR CONTROL PANEL DISPLAY • CONFIGURE NETWORK AND POWER SETTINGS • REBOOT AND POWER CYCLE REMOTELY

- ▶ Name Your Enclosure
- ▶ Choose Which Information Is Displayed Based On Your Needs
- ▶ Name Your Peripherals And Set Start-Up Power Options
- ▶ Integrate The Camera Stream Directly Into The Web Interface
- ▶ Customize Time, Date and Temperature Settings
- ▶ Configure Network Settings

### Display

Item	Display
ENCLOSURE MODEL	<input checked="" type="checkbox"/>
EXTERIOR TEMPERATURE	<input checked="" type="checkbox"/>
INTERIOR TEMPERATURE	<input checked="" type="checkbox"/>
INPUT VOLTAGE	<input checked="" type="checkbox"/>
INPUT CURRENT	<input checked="" type="checkbox"/>
LOAD / WATTS	<input checked="" type="checkbox"/>
POWER GRAPH	<input checked="" type="checkbox"/>
TEMPERATURE GRAPH	<input checked="" type="checkbox"/>

Temperature Unit:  C°  F°  BOTH

### Climate Control

Function	Display	On Startup
Heat	<input checked="" type="checkbox"/>	<input checked="" type="checkbox"/>
Temperature Setting	<input checked="" type="checkbox"/>	<input checked="" type="checkbox"/>

### Accessory Power Ports

Port	Custom Name	Display	On Startup
12VDC_1	NVR	<input checked="" type="checkbox"/>	<input checked="" type="checkbox"/>
12VDC_2	Cradlepoint Router	<input checked="" type="checkbox"/>	<input checked="" type="checkbox"/>
24VDC_1	EdgeSwitch	<input checked="" type="checkbox"/>	<input checked="" type="checkbox"/>
24VDC_2	Axis Q6045 Cam	<input checked="" type="checkbox"/>	<input checked="" type="checkbox"/>
POE		<input checked="" type="checkbox"/>	<input checked="" type="checkbox"/>

### Live Stream Player

Enter the Live Stream RTMP URI Parameters:

HOST/IP:

PORT:

APPLICATION:

STREAM NAME:

AUTO PLAY ON PAGE LOAD:  YES  NO

MUTE AUDIO:  YES  NO

### Network Settings

Use DHCP:  YES  NO

IP ADDRESS:

SUBNET MASK:

GATEWAY:

DNS 1:

DNS 2:

HTTP PORT:

### System

FIRMWARE VERSION: XSmart-v1.7.8

REBOOT SYSTEM:

SHUT DOWN XSMART SYSTEM:

- ▶ Review Power Usage and Temperature Graphs
- ▶ Adjust Log In Credentials And Authentication Requirements
- ▶ Reboot Or Shut Down The Enclosure System
- ▶ Update System Firmware
- ▶ All X|Accessories Are Seamlessly And Automatically Integrated Into The Web Interface

# SPECIFICATIONS

## SHIPPING DIMENSIONS / WEIGHT

- ▶ X|COLD: 19"L x 15"W x 22" H - 26lbs
- ▶ X|COLD-EV: 22"L x 16"W x 26"H - 29lbs

## INPUT SOURCE POWER

- ▶ 120/240VAC Input Power

## POWER CONSUMPTION

- ▶ 20 Watts With Typical PTZ Camera (Cooling Off)
- ▶ 150 Watts With Typical PTZ Camera (Cooling On)
- ▶ 470 Watts Maximum Available Power

## REMOTELY CONTROLLED AUX POWER PORTS

- ▶ [2] - 12VDC Ports
- ▶ [2] - 24VDC Ports
- ▶ [4] - IEEE 802.3at 30Watt PoE+ 10/100Mbps Ethernet Port

## ENCLOSURE OPERATING TEMPERATURES

- ▶ -40° to 160° F (-40° to 71° C)  
*Operating Temperatures Of Integrated Cameras And Components May Vary*

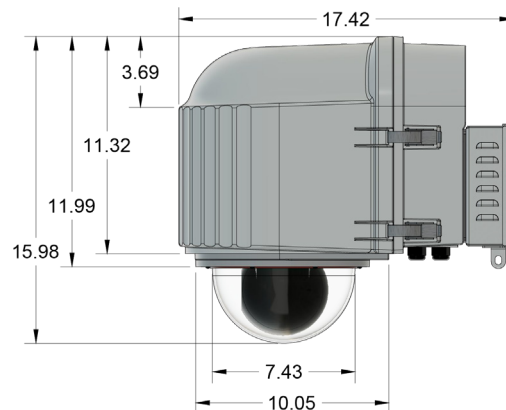
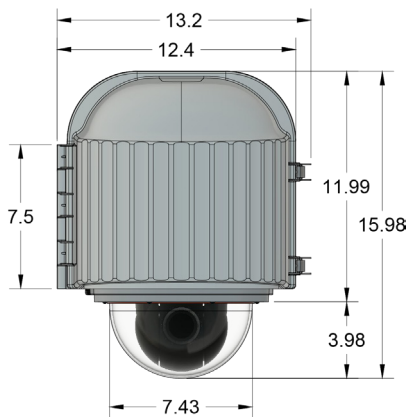
## ENCLOSURE MOUNTING

- ▶ Wall Mount Bracket (Standard)  
*Pole Mount Bracket with Leveling Plate Optional*

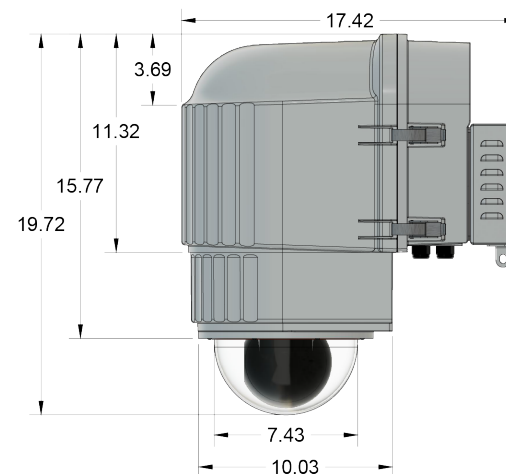
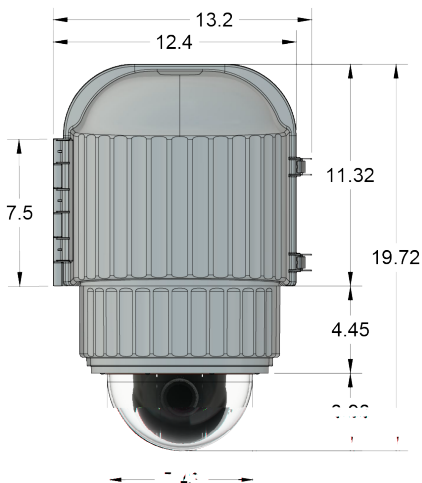
## USER INTERFACE REQUIREMENTS

- ▶ Network Connection Required
- ▶ Compatible With All Modern Browsers  
*Internet Explorer Not Recommended*
- ▶ Full API Documentation

## DIMENSIONS - X|COLD (STANDARD)



## DIMENSIONS - X|COLD-EV (EXTENDED VOLUME VERSION)



## UPGRADES / ACCESSORIES / OPTIONS

- ▶ X|30WH - 30 Watts Internal Heat
- ▶ X|PMB - Pole Mount Adapter with Leveling Plate
- ▶ X|EXT-TEMP - External Temperature Probe
- ▶ X|HALF-SHELF - Accessory Shelf
- ▶ X|HIGH-CFM - High CFM Fans
- ▶ X|NVR - i3, i5 or i7 Processor Option



sales@xstreamdesigns.com  
xstreamdesigns.com  
858.768.2992

US Patents US8567963B1 • USD744570S1

**PROTECTIVE IN HARSH ENVIRONMENTS · COOL IN EXTREME HEAT**