



# XHEAT

**INTEGRATED HEATING SYSTEM FOR  
EXTREME COLD PROTECTION  
CLEARS IMAGE-BLOCKING ICE AND SNOW**

**SIMPLY THE WORLD'S MOST INNOVATIVE CAMERA ENCLOSURE SYSTEM**

## ENGINEERED FOR EXTREME COLD CONDITIONS

- ▶ Built To Withstand Extreme Cold (Down To -60°F / -51°C)
- ▶ 50 Watt Internal Heating System
- ▶ Nearly Indestructible Polycarbonate Construction - No Rust Or Corrosion
- ▶ Dual/Redundant Circulation Fans Eliminate Hot Spots
- ▶ Open Cell Silicone Foam Insulation (Optional)

## COMPREHENSIVE AND CUSTOMIZABLE

- ▶ Integrated Network Switch With PoE+ And 24VDC Passive PoE Ports
- ▶ Remotely Controllable Accessory Power Ports - [2] 12VDC And [2] 24VDC
- ▶ Integrate NVRs, Encoders, Routers And More With Built-In Accessory Rails
- ▶ Extended Volume (EV) Option Adds 520in<sup>3</sup> Of Integration-Ready Space

## REMOTELY MONITOR AND CONTROL

- ▶ Remotely Monitor And Control The Enclosure Via The Web Or API
- ▶ Manually Trigger or Schedule Automated Dome Wipe Events
- ▶ Power On/Off - 12VDC, 24VDC, PoE+ And 24VDC Passive PoE Ports
- ▶ Monitor Internal And External Temperatures And Power Loads
- ▶ Fine Tune And Adjust Internal Climate And Dome Wiping Settings

## ECONOMICAL, PRACTICAL, SMART

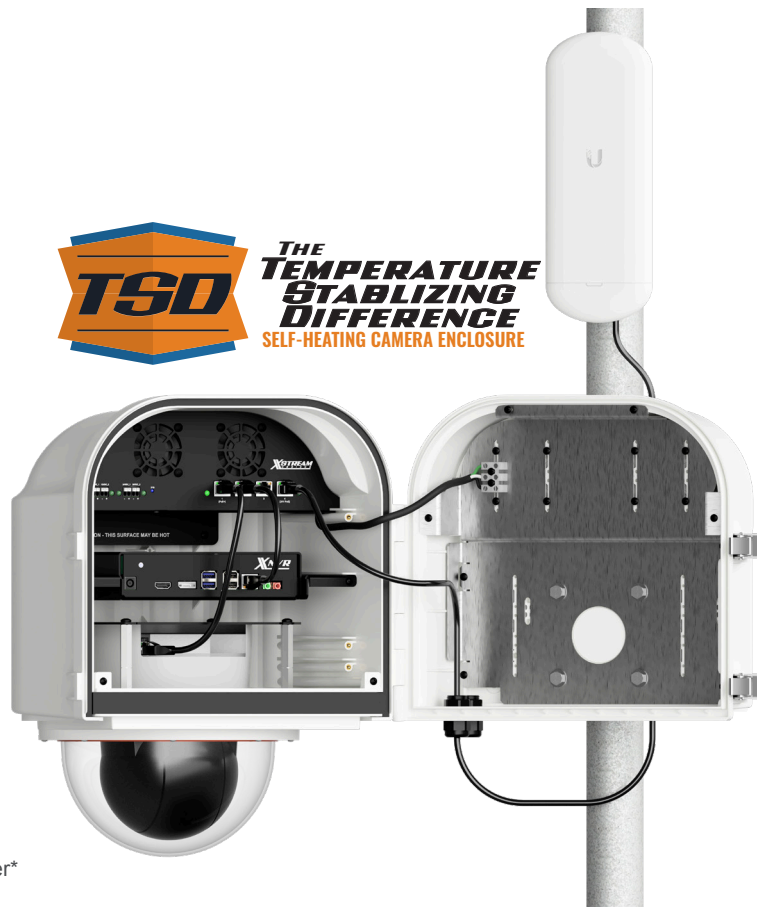
- ▶ Trigger Wipe Events To Clean The Dome Lens During Rainy Conditions
- ▶ No More Staring at Blurry Image Quality During Inclement Weather
- ▶ Painless Installation With Standard Wall Mount Bracket Or Pole Mount Adapter\*
- ▶ Power The Enclosure System via AC or DC

## INTEGRATE VIRTUALLY ANY CAMERA

- ▶ Compatible With Any Camera With A Pan/Tilt Head Under A 7.25" Diameter
- ▶ 30 Watt PoE+, 12VDC And 24VDC Web Enabled Accessory Power Ports



**THE  
TEMPERATURE  
STABILIZING  
DIFFERENCE  
SELF-HEATING CAMERA ENCLOSURE**



SONY

Canon

Panasonic

SAMSUNG

BOSCH

OOOPTICS



**HARDWARE**  
**DURABLE. ROBUST.**  
**CONVENIENT.**

## X/HEAT ENCLOSURE

Nearly Indestructible Polycarbonate Enclosure - Protect Your Camera And Integrated Components

### X|SMART SYSTEM TRAY

- ▶ Versatile Power Options, Integrated Networking, Climate Control And Remote Control Via Web Interface

### INTEGRATED HEAT

- ▶ 50 Watt Heating System
- ▶ Melts Ice And Snow
- ▶ Keeps Components Within Operating Temperatures

### INTUITIVE INTEGRATION

- ▶ Easily Integrate NVRs, Routers, Encoders And Other Peripherals
- ▶ Accessory Mounting Rails For Easy Installation

### POLYCARBONATE MATERIAL

- ▶ Non-Thermally Conductive
- ▶ Durable And Protective
- ▶ Doesn't Rust And Will Not Corrode

### VERSATILE CAMERA INTEGRATION

- ▶ Compatible With Any Camera With A Pan/Tilt Head Diameter Under 7.25"
- ▶ Easy Camera Height Adjustment With The Included 10-32 3/8" Hex Standoffs
- ▶ Integrated Camera Power Options: PoE+, 12VDC or 24VDC

### STAINLESS STEEL LATCHES

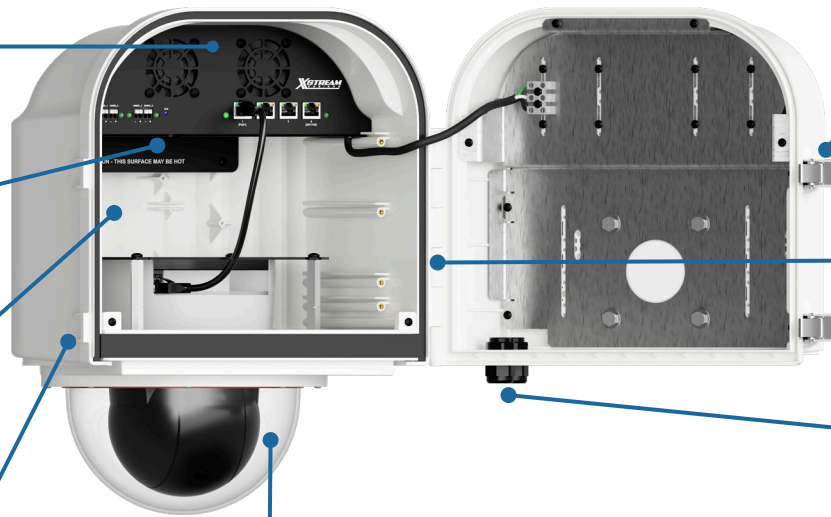
- ▶ Secure The Enclosure While Resisting Rust And Corrosion
- ▶ Padlock-Compatible To Protect Your Equipment

### VERTICAL HINGE

- ▶ No-Fuss Access To Enclosure Interior For Tank Refills And Component Integration

### INTELLIGENT CABLE INGRESS

- ▶ Reduce The Risk Of Water Intrusion With Cable Entry From Below



### SIMPLE AND SECURE MOUNTING



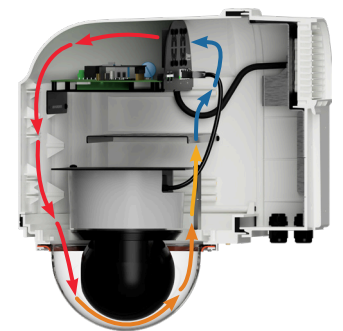
- ▶ Durable Polycarbonate Wall Mount Bracket (Optional Pole Mount Bracket Available)
- ▶ Slide The Enclosure Onto The Bracket, Fasten From The Inside With Four 1/4-20 x 3/4" Bolts
- ▶ Industry-Standard 2" x 5.5" OC Hole Pattern

### X|SMART SYSTEM TRAY



- ▶ Remotely Controllable 50 Watt Heating System
- ▶ Dual Circulation Fans For Engineered Air Circulation
- ▶ Remotely Controlled Power Inputs: [2] 24 VDC Power Ports, [2] 12VDC Power Ports, [1] 30 Watt PoE+ Ethernet Port, [1] 24VDC Passive PoE Ethernet Port
- ▶ Integrated Networking: 4 Port 10/100Mbps Ethernet Switch
- ▶ Flexible Source Power: 120/240VAC Standard (10-60DC Optional)

### SUPERIOR AIR CIRCULATION



- ▶ Redundant 6,000 RPM 9.9 CFM Circulation Fans Push And Pull Air Throughout The Entire Enclosure System
- ▶ Protects Equipment By Eliminating Hot Spots

# USER INTERFACE

**SIMPLE. INTUITIVE.  
ACCESSIBLE.**

## MONITOR AND CONTROL FROM ANYWHERE

Intuitively Designed For The End User - Remotely Control With The Click Of A Mouse



### AUXILIARY POWER CONTROLS

- ▶ 30 Watt PoE+, 24VDC Passive PoE, 12VDC And 24VDC
- ▶ Set Connected Devices To Power On Startup And Manually Power On/Off

### CLIMATE CONTROLS

- ▶ Customize Temperature Settings And Cycle Times
- ▶ Control The Internal Heat Settings
- ▶ Manage Fan Settings

### AT-A-GLANCE INFORMATION

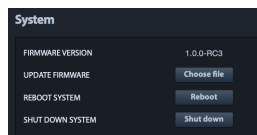
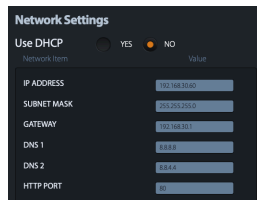
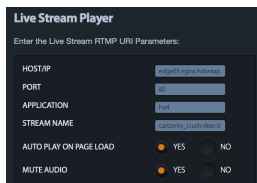
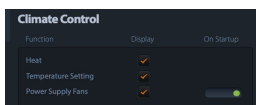
- ▶ See The Enclosure's Local Date And Time
- ▶ Review Power Status Of X|Accessories
- ▶ Check Internal Temperature (Standard)
- ▶ Check External Temperature With Optional X|EXT-TEMP Accessory
- ▶ Review Current Power Input And Load

### POWER AND TEMPERATURE GRAPHS

- ▶ See Power Usage And Temperature Over Time

## TAILOR YOUR CONTROL PANEL DISPLAY • CONFIGURE NETWORK AND POWER SETTINGS • REBOOT AND POWER CYCLE REMOTELY

- ▶ Name Your Enclosure
- ▶ Choose Which Information Is Displayed Based On Your Needs
- ▶ Name Your Peripherals And Set Start-Up Power Options
- ▶ Integrate The Camera Stream Directly Into The Web Interface
- ▶ Customize Time, Date and Temperature Settings
- ▶ Configure Network Settings



- ▶ Review Power Usage and Temperature Graphs
- ▶ Adjust Log In Credentials And Authentication Requirements
- ▶ Reboot Or Shut Down The Enclosure System
- ▶ Update System Firmware
- ▶ All X|Accessories Are Seamlessly And Automatically Integrated Into The Web Interface

# SPECIFICATIONS

## SHIPPING DIMENSIONS / WEIGHT

- ▶ X|HEAT: 19"L x 15"W x 22"H - 19lbs
- ▶ X|HEAT-EV: 21"L x 16"W x 26"H - 22lbs

## INPUT SOURCE POWER

- ▶ 120/240VAC Input Power (Standard)
- ▶ 10-60VDC Input Power (Optional)

## POWER CONSUMPTION

- ▶ 20 Watts With Typical PTZ Camera, Heat Off
- ▶ 70 Watts With Typical PTZ Camera, Heat On

## REMOTELY CONTROLLED AUX POWER PORTS

- ▶ [2] - 12VDC Ports
- ▶ [2] - 24VDC Ports
- ▶ [1] - IEEE 802.3at 30Watt PoE+ 10/100Mbps Ethernet Port
- ▶ [1] - 24VDC Passive PoE Ethernet Port (Wireless Radios)

## ENCLOSURE OPERATING TEMPERATURES

- ▶ -60° to 145° F (-51° to 63° C)
- ▶ Check Operating Temperatures Of Integrated Cameras And Components As They May Vary

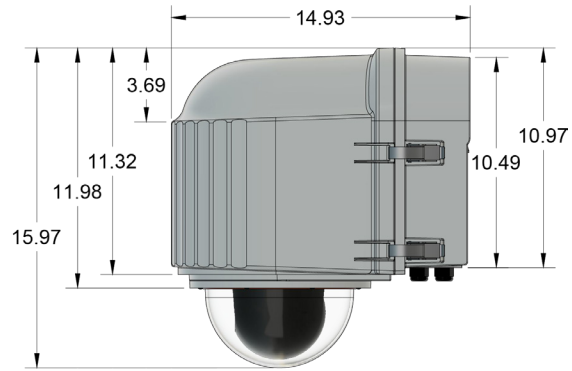
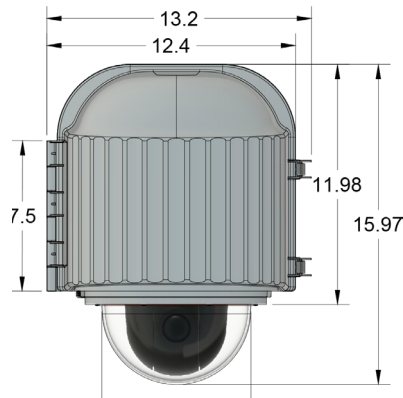
## ENCLOSURE MOUNTING

- ▶ Wall Mount Bracket (Standard)  
Requires [4] 1/4-20 x 3/4" Bolts (Included)  
Industry-Standard 2" x 5.5" OC Hole Pattern
- ▶ Pole Mount Bracket (Optional)

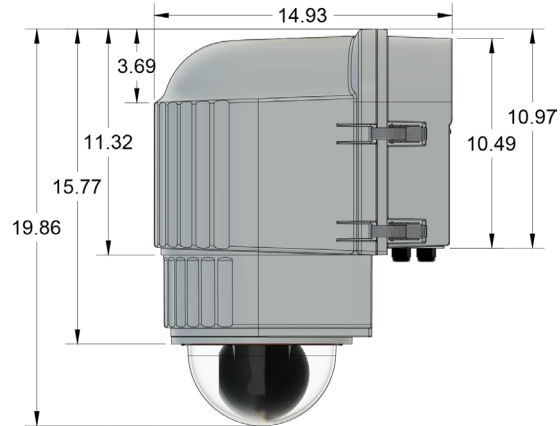
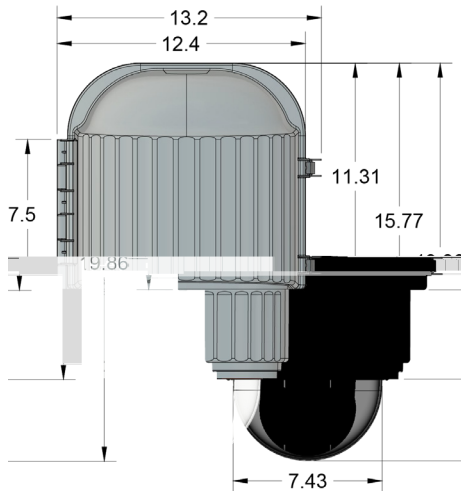
## USER INTERFACE REQUIREMENTS

- ▶ Network Connection Required
- ▶ Compatible With All Modern Browsers  
Internet Explorer Not Recommended
- ▶ Full API Documentation

## DIMENSIONS - X|HEAT (STANDARD)



## DIMENSIONS - X|HEAT-EV (EXTENDED VOLUME VERSION)



## UPGRADES / ACCESSORIES / OPTIONS

- ▶ X|DC-INPUT - 10-60VDC Input Power for Solar Installations
- ▶ X|PMB - Pole Mount Adapter with Leveling Plate
- ▶ X|EXT-TEMP - External Temperature Probe
- ▶ X|HALF-SHELF - Accessory Shelf
- ▶ X|HIGH-CFM - High CFM Fans
- ▶ X|NVR - i3, i5 or i7 Processor Option



sales@xstreamdesigns.com  
xstreamdesigns.com  
858.768.2992

US Patents US8567963B1 • USD744570S1

**PROTECTIVE IN HARSH ENVIRONMENTS - WARM IN EXTREME COLD**