

XRAIN

**THE WORLD'S ONLY PATENTED
SELF-WIPING, SELF-CLEANING
OUTDOOR CAMERA ENCLOSURE**



SIMPLY THE WORLD'S MOST INNOVATIVE CAMERA ENCLOSURE SYSTEM

ENGINEERED FOR WET AND RAINY CONDITIONS

- ▶ Wipe Away Image-Obscuring Water Drops In Wet And Rainy Weather
- ▶ Built To Withstand Severe Weather And Extreme Environmental Demands
- ▶ Recommended For Hot, Cold, Wet And Rainy Climates
- ▶ Nearly Indestructible Polycarbonate Construction - No Rust Or Corrosion

COMPREHENSIVE AND CUSTOMIZABLE

- ▶ Integrated Network Switch With PoE+ And 24VDC Passive PoE Ports
- ▶ Remotely Controllable Accessory Power Ports - [2] 12VDC And [2] 24VDC
- ▶ Integrate NVRs, Encoders, Routers And More With Built-In Accessory Rails
- ▶ Extended Volume (EV) Option Adds 520in³ Of Integration-Ready Space

REMOTELY MONITOR AND CONTROL

- ▶ Remotely Monitor And Control The Enclosure Via The Web Or API
- ▶ Manually Trigger or Schedule Automated Dome Wipe Events
- ▶ Power On/Off - 12VDC, 24VDC, PoE+ And 24VDC Passive PoE Ports
- ▶ Monitor Internal And External Temperatures And Power Loads
- ▶ Fine Tune And Adjust Internal Climate And Dome Wiping Settings

ECONOMICAL, PRACTICAL, SMART

- ▶ Trigger Wipe Events To Clean The Dome Lens During Rainy Conditions
- ▶ No More Staring at Blurry Image Quality During Inclement Weather
- ▶ Painless Installation With Standard Wall Mount Bracket Or Pole Mount Adapter*
- ▶ Power The Enclosure System via AC or DC

INTEGRATE VIRTUALLY ANY CAMERA

- ▶ Compatible With Any Camera With A Pan/Tilt Head Under A 7.25" Diameter
- ▶ 30 Watt PoE+, 12VDC And 24VDC Web Enabled Accessory Power Ports



US PATENT #8567963B1
**THE CLEAR IMAGE
DIFFERENCE**
SELF-CLEANING CAMERA DOME



SONY

Canon

Panasonic

SAMSUNG

BOSCH

4VVOOPTICS



EXPERIENCE THE CLEAR IMAGE DIFFERENCE™

HARDWARE
DURABLE. ROBUST.
CONVENIENT.

X/RAIN ENCLOSURE

Nearly Indestructible Polycarbonate Enclosure - Protect Your Camera And Integrated Components

X|SMART SYSTEM TRAY

- ▶ Versatile Power Options, Integrated Networking, Climate Control And Remote Control Via Web Interface

INTEGRATED HEAT

- ▶ 10 Watt Integrated Heat - Warms Enclosure (Optional 30W Upgrade)
- ▶ Combats Moisture and Condensation
- ▶ Keeps Components Within Operating Temperatures

INTUITIVE INTEGRATION

- ▶ Easily Integrate NVRs, Routers, Encoders And Other Peripherals
- ▶ Accessory Mounting Rails For Easy Installation

POLYCARBONATE MATERIAL

- ▶ Non-Thermally Conductive
- ▶ Durable And Protective
- ▶ Doesn't Rust And Will Not Corrode

SELF-WIPING DOME LENS

- ▶ Dome Rotates Against A Fixed Wiper Blade To Clear Water Drops
- ▶ Reduces Risk Of Image-Obscuring Dome Scratches From Manual Cleaning

VERSATILE CAMERA INTEGRATION

- ▶ Compatible With Any Camera With A Pan/Tilt Head Diameter Under 7.25"
- ▶ Easy Camera Height Adjustment With The Included 10-32 3/8" Hex Standoffs
- ▶ Integrated Camera Power Options: PoE+, 12VDC or 24VDC

STAINLESS STEEL LATCHES

- ▶ Secure The Enclosure While Resisting Rust And Corrosion
- ▶ Padlock-Compatible To Protect Your Equipment

VERTICAL HINGE

- ▶ No-Fuss Access To Enclosure Interior For Tank Refills And Component Integration

INTELLIGENT CABLE INGRESS

- ▶ Reduce The Risk Of Water Intrusion With Cable Entry From Below

SIMPLE AND SECURE MOUNTING



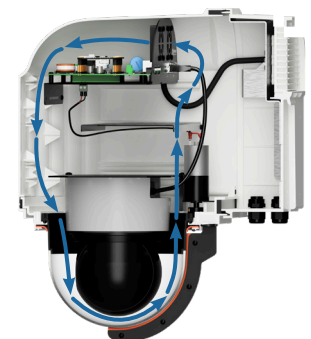
- ▶ Durable Polycarbonate Wall Mount Bracket (Optional Pole Mount Bracket Available)
- ▶ Slide The Enclosure Onto The Bracket, Fasten From The Inside With Four 1/4-20 x 3/4" Bolts
- ▶ Industry-Standard 2" x 5.5" OC Hole Pattern

X|SMART SYSTEM TRAY



- ▶ Dual Circulation Fans For Engineered Air Circulation
- ▶ Remotely Controlled Power Inputs: [2] 24 VDC Power Ports, [2] 12VDC Power Ports, [1] 30 Watt PoE+ Ethernet Port, [1] 24VDC Passive PoE Ethernet Port
- ▶ Integrated Networking: 4 Port 10/100Mbps Ethernet Switch
- ▶ Flexible Source Power: 120/240VAC Standard (10-60DC Optional)

SUPERIOR AIR CIRCULATION



- ▶ Redundant 6,000 RPM 9.9 CFM Circulation Fans Push And Pull Air Throughout The Entire Enclosure System
- ▶ Protects Equipment By Eliminating Hot Spots

USER INTERFACE

**SIMPLE. INTUITIVE.
ACCESSIBLE.**

CONTROL FROM ANYWHERE

Intuitively Designed For The End User - Ensure Pristine Image Quality With The Click Of A Mouse

AT-A-GLANCE INFORMATION

- ▶ See The Enclosure's Local Date And Time
- ▶ Review Power Status Of X|Accessories
- ▶ Check Internal Temperature (Standard)
- ▶ Check External Temperature With Optional X|EXT-TEMP Accessory
- ▶ Review Current Power Input And Load



CLEAR IMAGE DIFFERENCE™ CONTROLS

- ▶ Manually Trigger Wipe Events
- ▶ Schedule Wipe Events
- ▶ View Previous And Upcoming Events

AUXILIARY POWER CONTROLS

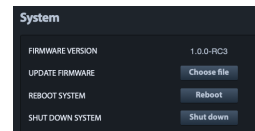
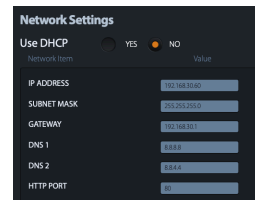
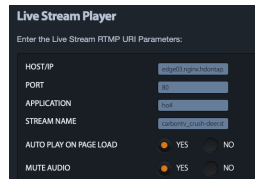
- ▶ 30 Watt PoE+, 24VDC Passive PoE, 12VDC And 24VDC
- ▶ Set Connected Devices To Power On Startup
- ▶ Manually Power Devices On Or Off

CLIMATE CONTROLS

- ▶ Control The Enclosure's Internal Temperature
- ▶ Adjust Power Supply Fan Settings

TAILOR YOUR CONTROL PANEL DISPLAY • CONFIGURE NETWORK AND POWER SETTINGS • REBOOT AND POWER CYCLE REMOTELY

- ▶ Name Your Enclosure
- ▶ Choose Which Information Is Displayed Based On Your Needs
- ▶ Name Your Peripherals And Set Start-Up Power Options
- ▶ Integrate The Camera Stream Directly Into The Web Interface
- ▶ Customize Time, Date and Temperature Settings
- ▶ Configure Network Settings



- ▶ Review Power Usage and Temperature Graphs
- ▶ Customize Wipe Event Duration
- ▶ Adjust Log In Credentials And Authentication Requirements
- ▶ Reboot Or Shut Down The Enclosure System
- ▶ All X|Accessories Are Seamlessly And Automatically Integrated Into The Web Interface

SPECIFICATIONS

SHIPPING DIMENSIONS / WEIGHT

- X|RAIN: 19"L x 15"W x 22"H - 20lbs
- X|RAIN-EV: 21"L x 16"W x 25.5"H - 22lbs

INPUT SOURCE POWER

- 120/240VAC Input Power (Standard)
- 10-60VDC Input Power *Optional*

POWER CONSUMPTION

- 20 Watts With Typical PTZ Camera
- 35 Watts - Less Than 3 Seconds During Wipe Event

REMOTELY CONTROLLED AUX POWER PORTS

- [2] - 12VDC Ports
- [2] - 24VDC Ports
- [1] - IEEE 802.3at 30Watt PoE+ 10/100Mbps Ethernet Port
- [1] - 24VDC Passive PoE Ethernet Port (Wireless Radios)

ENCLOSURE OPERATING TEMPERATURES

- -40° to 145° F (-40° to 63° C)
- *Check Operating Temperatures Of Integrated Cameras And Components As They May Vary*

REMOTE CLIMATE CONTROL

- 10 Watts Integrated Heat (Standard)
- 30W Heating Capacity *Optional*

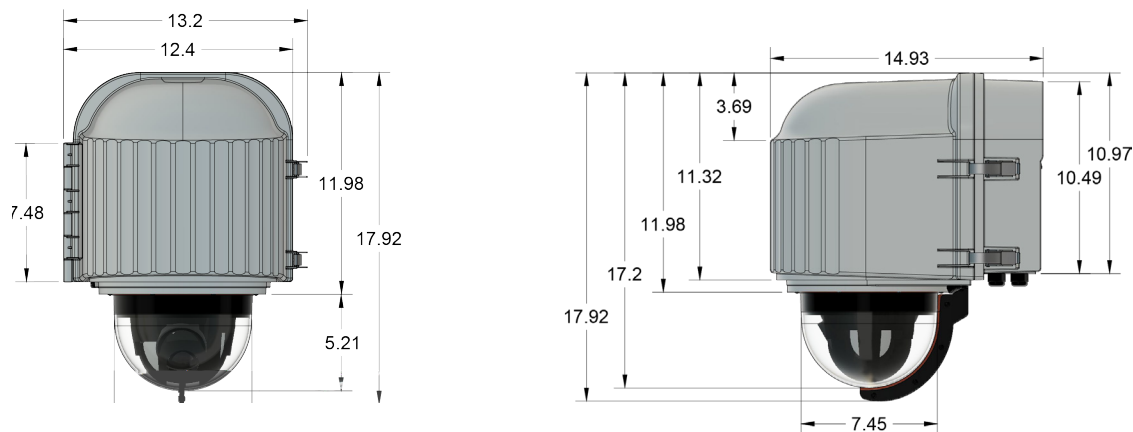
ENCLOSURE MOUNTING

- Wall Mount Bracket (Standard)
- Pole Mount Bracket *Optional*

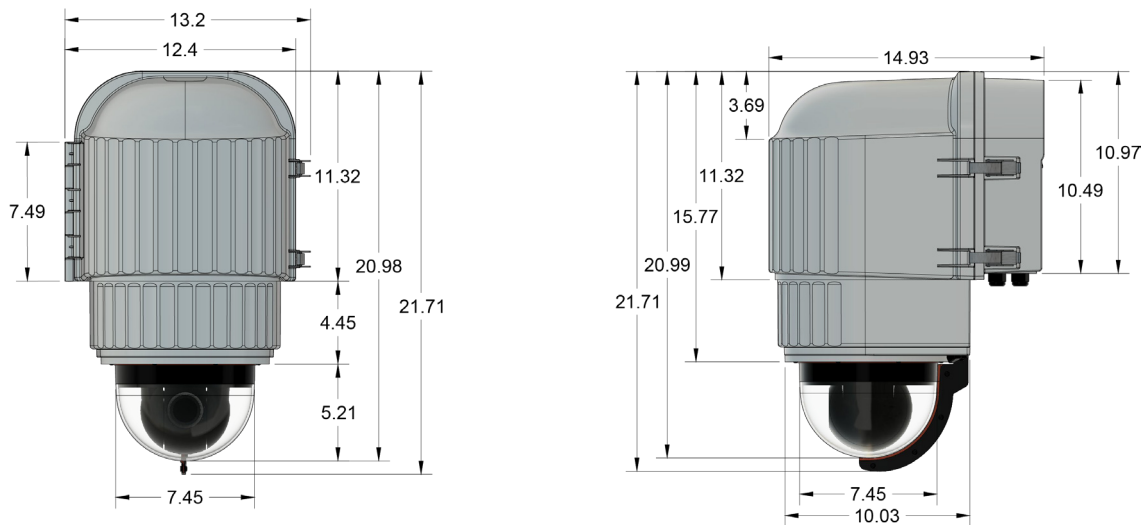
USER INTERFACE REQUIREMENTS

- Network Connection Required
- Compatible With All Modern Browsers
- *Internet Explorer Not Recommended*
- Full API Documentation

DIMENSIONS - X|RAIN (STANDARD)



DIMENSIONS - X|RAIN-EV (EXTENDED VOLUME VERSION)



UPGRADES / ACCESSORIES / OPTIONS

- X|DC-INPUT - 10-60VDC Input Power for Solar Installations
- X|30WH - 30 Watts Internal Heat
- X|INSULATE - Open Cell Silicone Foam Radiant Heat Shielding
- X|PMB - Pole Mount Adapter with Leveling Plate
- X|EXT-TEMP - External Temperature Probe
- X|HALF-SHELF - Accessory Shelf
- X|HIGH-CFM - High CFM Fans
- X|NVR - i3, i5 or i7 Processor Option



sales@xstreamdesigns.com
xstreamdesigns.com
858.768.2992

US Patents US8567963B1 • USD744570S1

EXPERIENCE THE CLEAR IMAGE DIFFERENCE™