

SAMPLE FORMAT FOR REVISED AMENDMENT PRACTICE (Rev. 6/03)

Appl. No. : XX/YYY,YYY Confirmation No. WXYZ
Applicant : James Q. Inventor
Filed : April 19, 2003
TC/A.U. : 1744
Examiner : John Doe
Docket No. : 12345/JAS/R758
Customer No. : 88888

Commissioner for Patents
P.O. Box 1450
Alexandria VA 22313-1450

AMENDMENT

Sir:

In response to the Office action of October 16, 2003, please amend the above-identified application as follows:

Amendments to the Specification begin on page 2 of this paper.

Amendments to the Claims are reflected in the listing of claims which begins on page 3 of this paper.

Amendments to the Drawings begin on page 4 of this paper and include both an attached replacement sheet and an annotated sheet showing changes.

Remarks/Arguments begin on page 5 of this paper.

An **Appendix** including amended drawing figures is attached following page 5 of this paper.

Amendments to the Specification:

Please replace paragraph [0021] with the following amended paragraph:

[0021] In the construction of the bucket of this invention, various materials have been selected ~~[[and]]~~ which offer a number of diverse properties ~~[[,]]~~ and allow for varied functions of the article. For caustic solutions, the bucket can be made of a durable ~~polymer~~ plastic material. Where an aesthetic appeal is desired, the bucket can be any ~~[[of]]~~ one of many attractive colors. The following ~~listing~~ list of properties serves to define possible uses for the buckets.

Please replace paragraph [0045] with the following amended paragraph:

[0045] Figure 1 displays a bucket of the invention. As can be seen from the drawing, ~~the a~~ handle is attached to the upper lip of the structure and connected at points diametrically opposite each other on the circumference.

Please add the following new paragraph after paragraph [0075]:

[0075.1] An optional feature of the articles of the invention is the addition of a tetrafluoroethylene coating to the bucket to provide protection from any contents which might be caustic. The coating can be provided to the surface during the manufacturing process or can be added in a later step.

Please delete the paragraph beginning at page 2, line 4, which starts with “Under normal circumstances”

Amendments to the Claims:

This listing of claims will replace all prior versions, and listings, of claims in the application:

Listing of Claims:

Claims 1-5 (canceled)

Claim 6 (previously presented): A bucket with a handle.

Claim 7 (withdrawn): A handle comprising an elongated wire.

Claim 8 (withdrawn): The handle of claim 7 further comprising a plastic grip.

Claim 9 (currently amended): A bucket with a ~~green~~ blue handle.

Claim 10 (original): The bucket of claim 9 wherein the handle is made of wood.

Claim 11 (canceled)

Claim 12 (not entered)

Claim 13 (new): A bucket with plastic sides and bottom.

Appl. No. XX/YYYY,YYY
Amdt. dated Jan. 15, 2004
Reply to Office action of Oct. 16, 2003

Amendments to the Drawings:

The attached sheet of drawings includes changes to Fig. 2. This sheet, which includes Fig. 1-2, replaces the original sheet including Fig. 1-2. In Figure 2, previously omitted element 13 has been added.

Attachment: Replacement Sheet
 Annotated Sheet Showing Changes

REMARKS/ARGUMENTS

In the specification, the paragraphs [0021] and [0045] have been amended to correct minor editorial problems. The new paragraph [0075.1] added after paragraph [0075] discusses in general terms the features taken from Example 4.

In amended Figure 2, the previously omitted element numeral 13 has been added.

Claims 6-10 and 12-13 remain in this application. Claims 1-5 and 11 have been canceled. Claims 7 and 8 have been withdrawn.

The examiner has acknowledged that claims 6 and 9-10 are directed to allowable subject matter. Claim 7-8 have been withdrawn as the result of an earlier restriction requirement. Claim 13 adds an additional feature from Example 2 in the specification.

In view of the examiner's earlier restriction requirement, applicant retains the right to present claims 7-8 in a divisional application

.....

.....

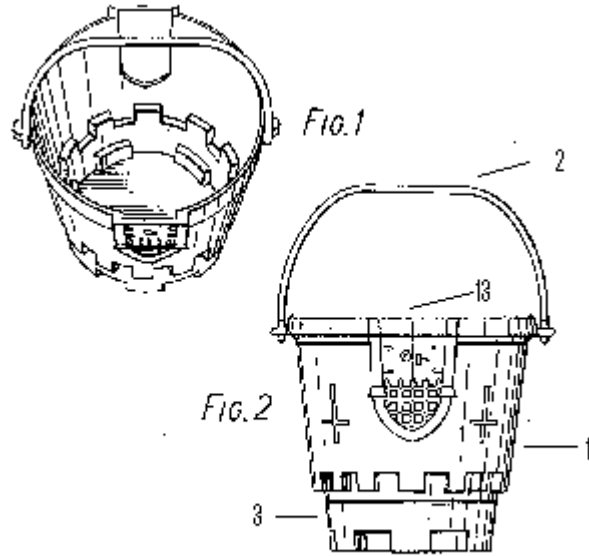
Applicant respectfully requests that a timely Notice of Allowance be issued in this case.

Respectfully submitted,

SMITH, JONES & BROWN

By _____
Martin J. Gallagher
Reg. No. 99,999
Tel.: (101) 555-2345

Attachments



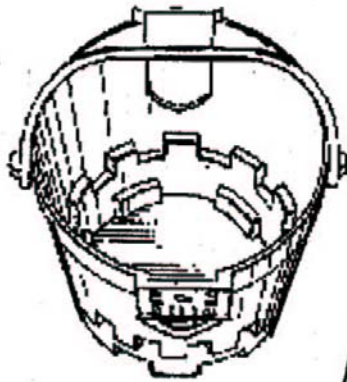


FIG. 1

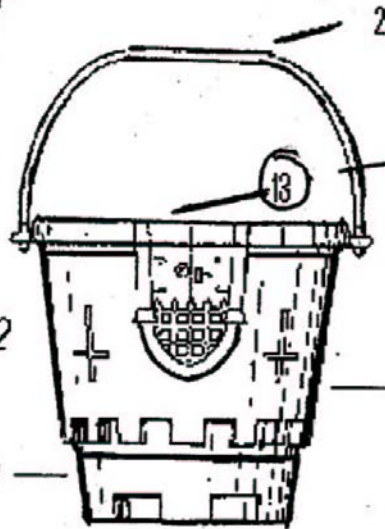


FIG. 2

Element 13
added