



US00D744570S

(12) **United States Design Patent**
Criscuolo et al.

(10) **Patent No.:** **US D744,570 S**

(45) **Date of Patent:** **** Dec. 1, 2015**

(54) **CAMERA ENCLOSURE**

(56) **References Cited**

(71) Applicants: **Michael Thomas Criscuolo**, Long Beach, CA (US); **Timothy Karl Sears**, Solana Beach, CA (US)

U.S. PATENT DOCUMENTS

D424,087 S *	5/2000	Frick et al.	D16/203
D461,485 S *	8/2002	Jones et al.	D16/203
D473,887 S *	4/2003	Jones et al.	D16/203
D527,405 S *	8/2006	Kim et al.	D16/203
D552,651 S *	10/2007	Arbuckle	D16/203
D561,808 S *	2/2008	Arnold et al.	D16/219
D568,361 S *	5/2008	Arnold et al.	D16/203
D576,195 S *	9/2008	Grotto	D16/203
D576,196 S *	9/2008	Grotto	D16/203
D577,758 S *	9/2008	Ferris et al.	D16/203
D620,513 S *	7/2010	Richards	D16/203
D666,233 S *	8/2012	Carver et al.	D16/200

(72) Inventors: **Michael Thomas Criscuolo**, Long Beach, CA (US); **Timothy Karl Sears**, Solana Beach, CA (US)

(**) Term: **14 Years**

* cited by examiner

(21) Appl. No.: **29/461,017**

Primary Examiner — Susan E Krakower
Assistant Examiner — Ramzi Almatrahi

(22) Filed: **Jul. 17, 2013**

(51) **LOC (10) Cl.** **16-01**

(57) **CLAIM**

The ornamental design for a camera enclosure, as shown and described.

(52) **U.S. Cl.**

USPC **D16/203**

(58) **Field of Classification Search**

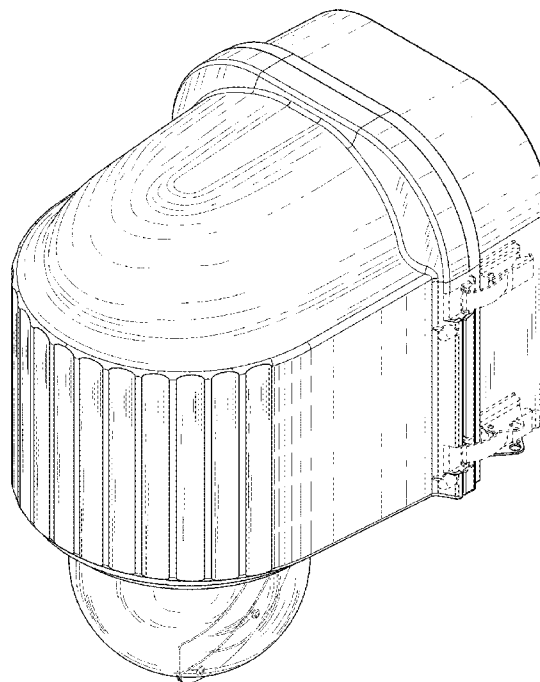
DESCRIPTION

USPC D16/200, 202–208, 218, 219, 242;
348/143, 148, 151, 373–376; 396/419,
396/427, 535, 539–541
CPC G03B 17/02; G03B 19/04; G03B 17/56;
G03B 17/04; G03B 15/03; H04N 5/2251;
H04N 5/2252; H04N 5/2253; H04N 5/2254;
H04N 7/181; H04N 7/183; H04N 7/18;
G08B 13/1963; G08B 13/19619; G08B
13/19632; F16M 11/04; F16M 13/00

FIG. 1 is a perspective view of a camera enclosure;
FIG. 2 is a front view thereof;
FIG. 3 is a rear view thereof;
FIG. 4 is a right view thereof;
FIG. 5 is a left view thereof;
FIG. 6 is a top view thereof; and,
FIG. 7 is a bottom view thereof.
The broken line showing hinges, pipes, and connectors is included for the purpose of illustrating environmental structure and forms no part of the claimed design.

See application file for complete search history.

1 Claim, 7 Drawing Sheets



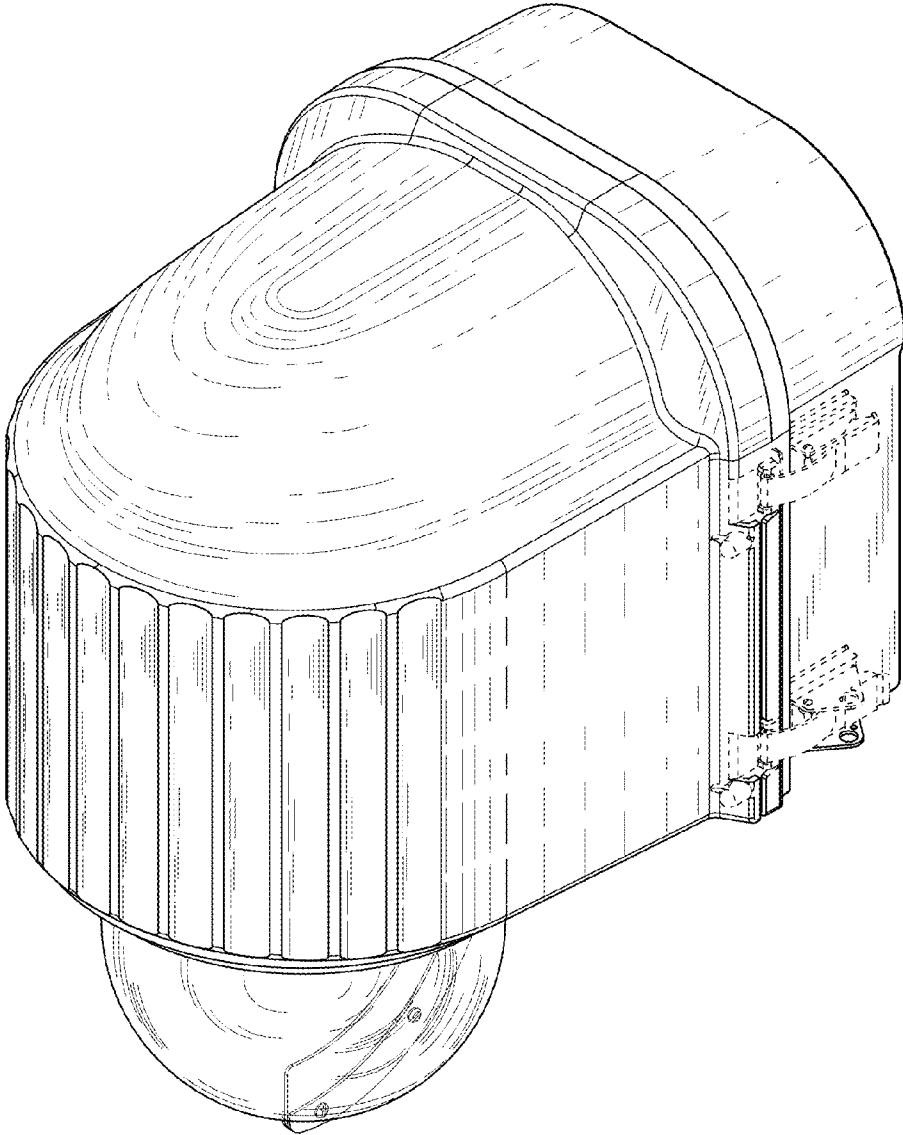


FIG. 1

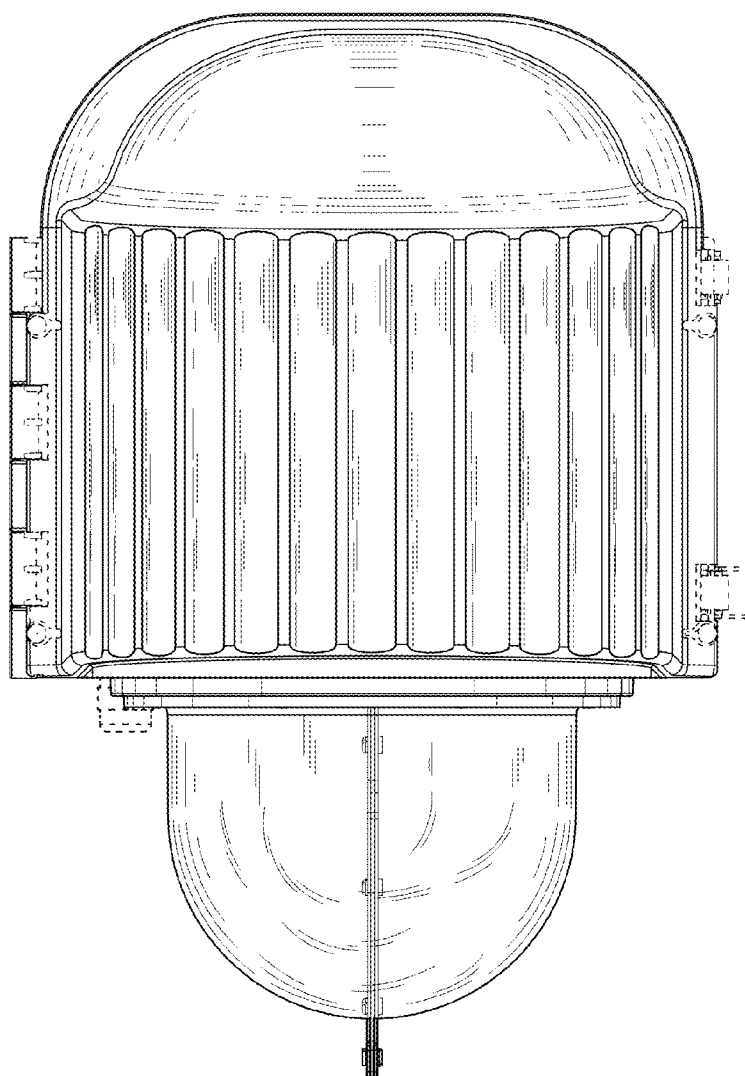


FIG. 2

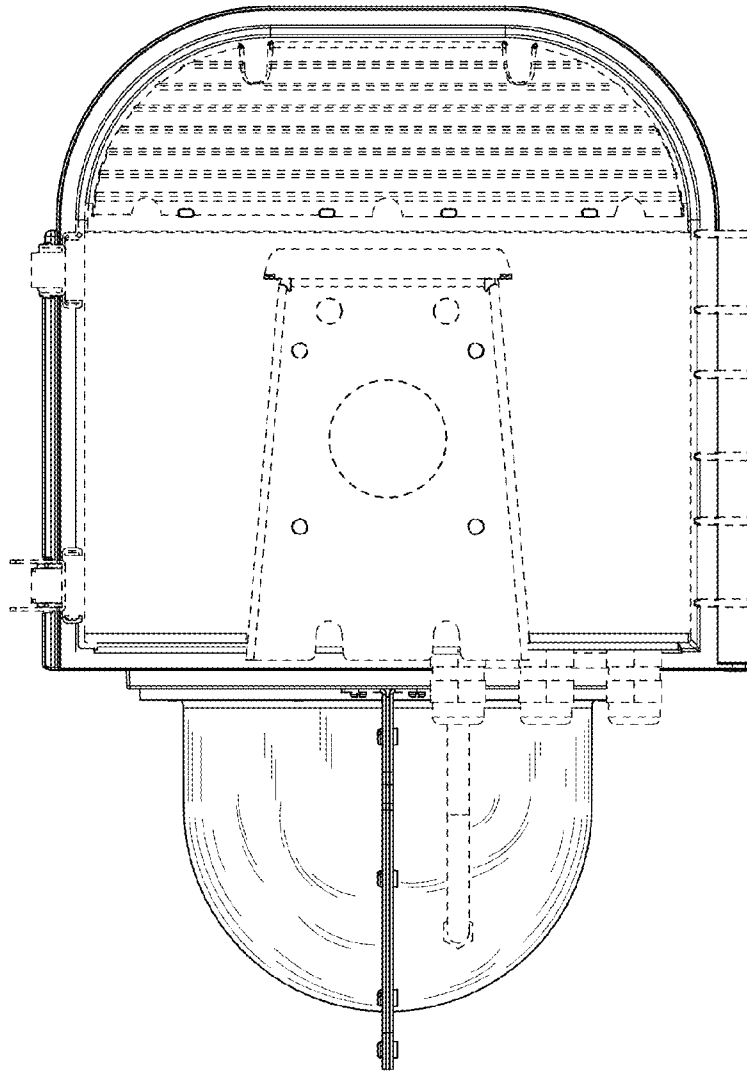


FIG. 3

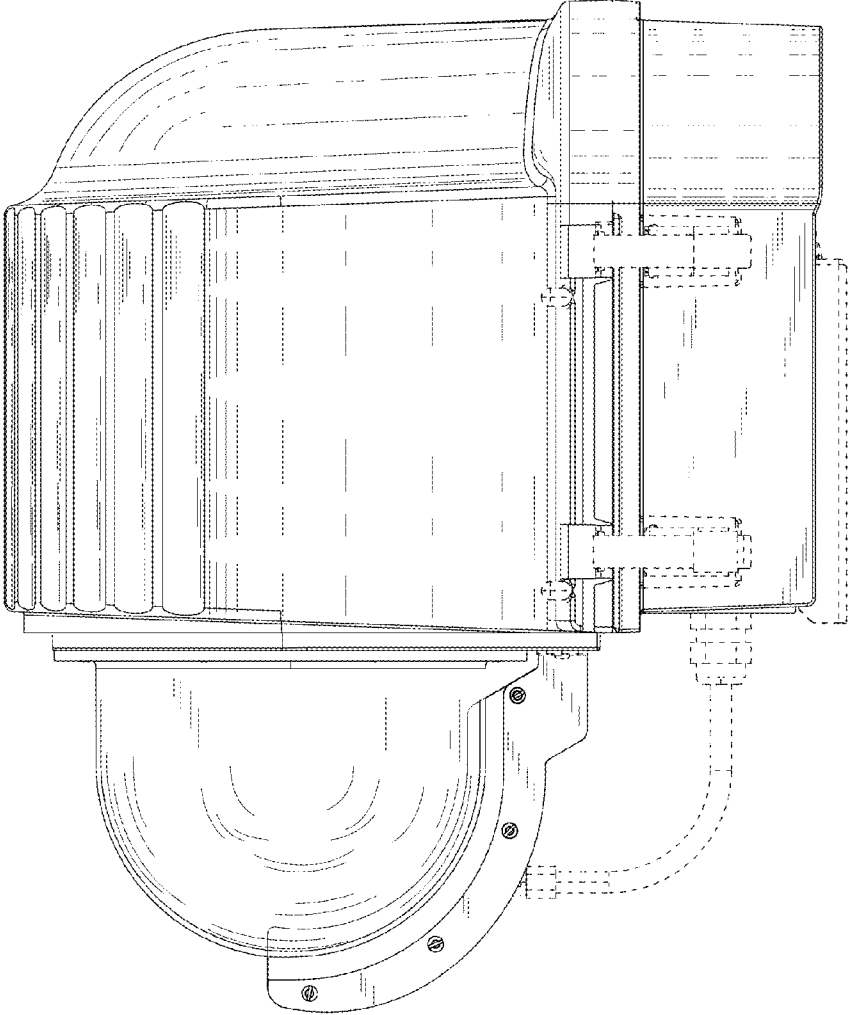


FIG. 4

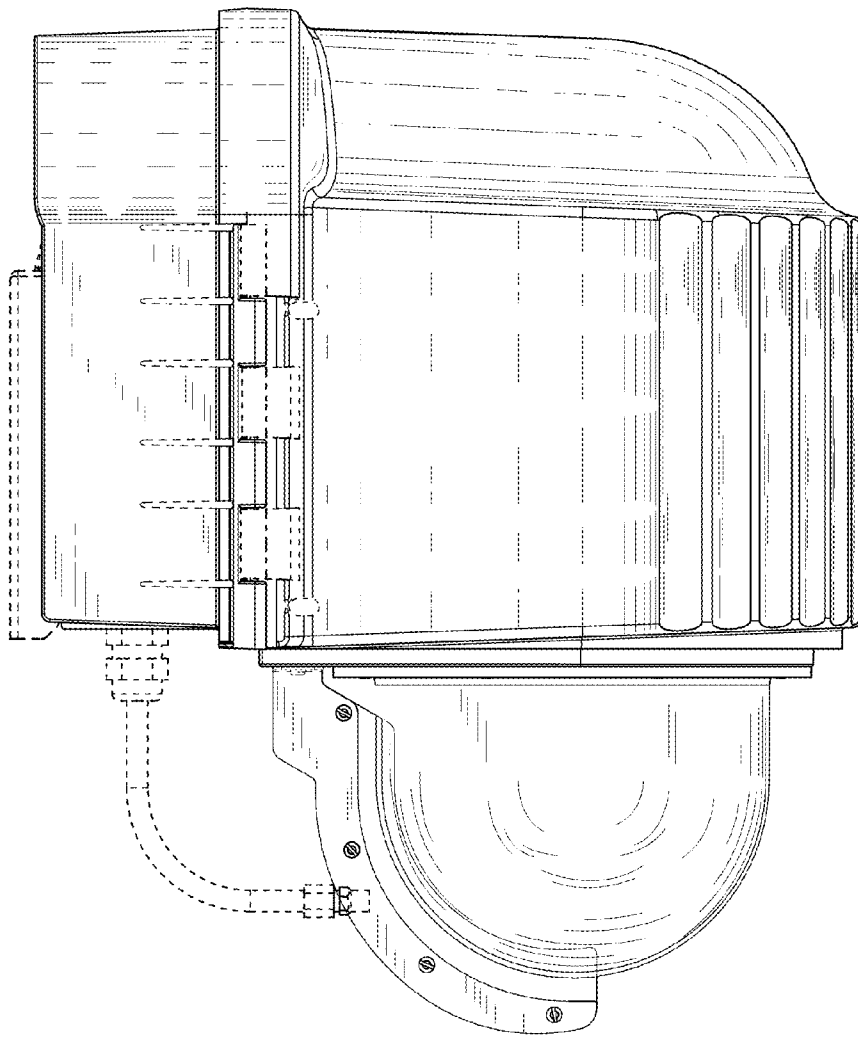


FIG. 5

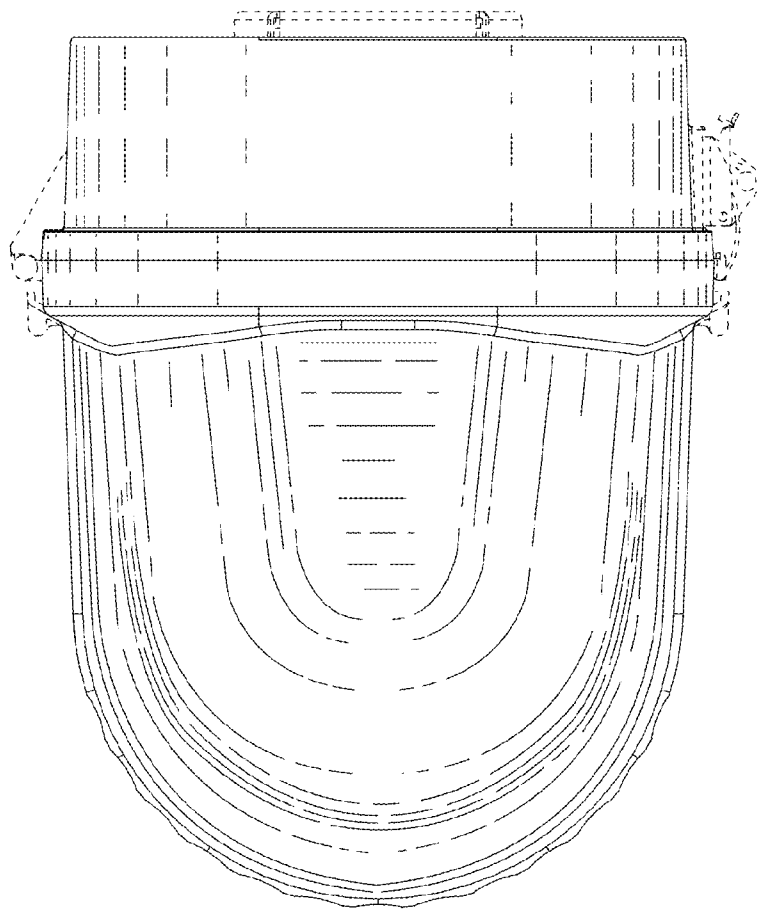


FIG. 6

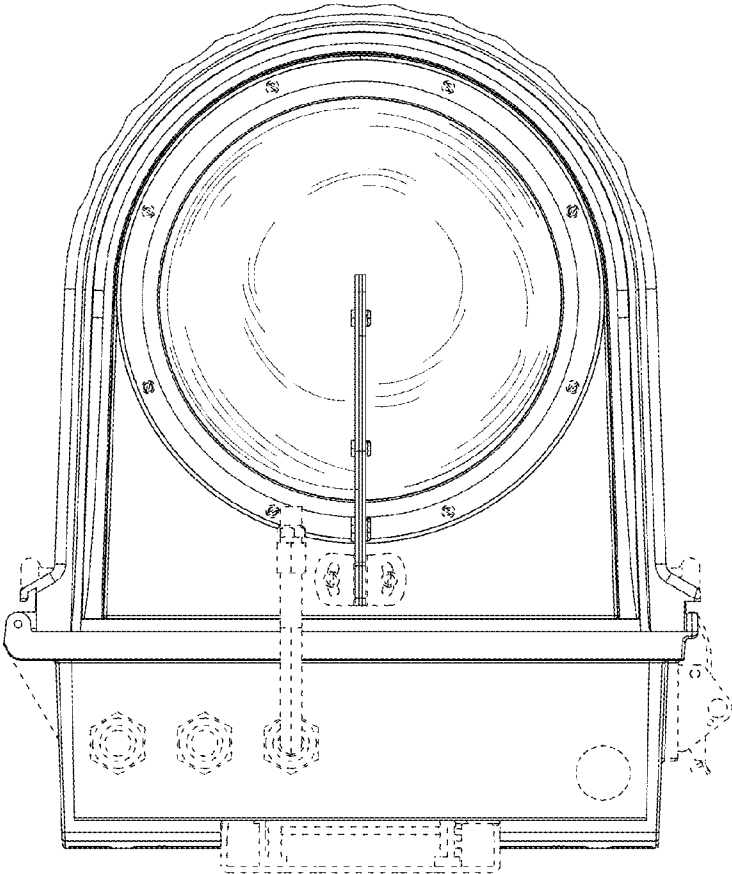


FIG. 7